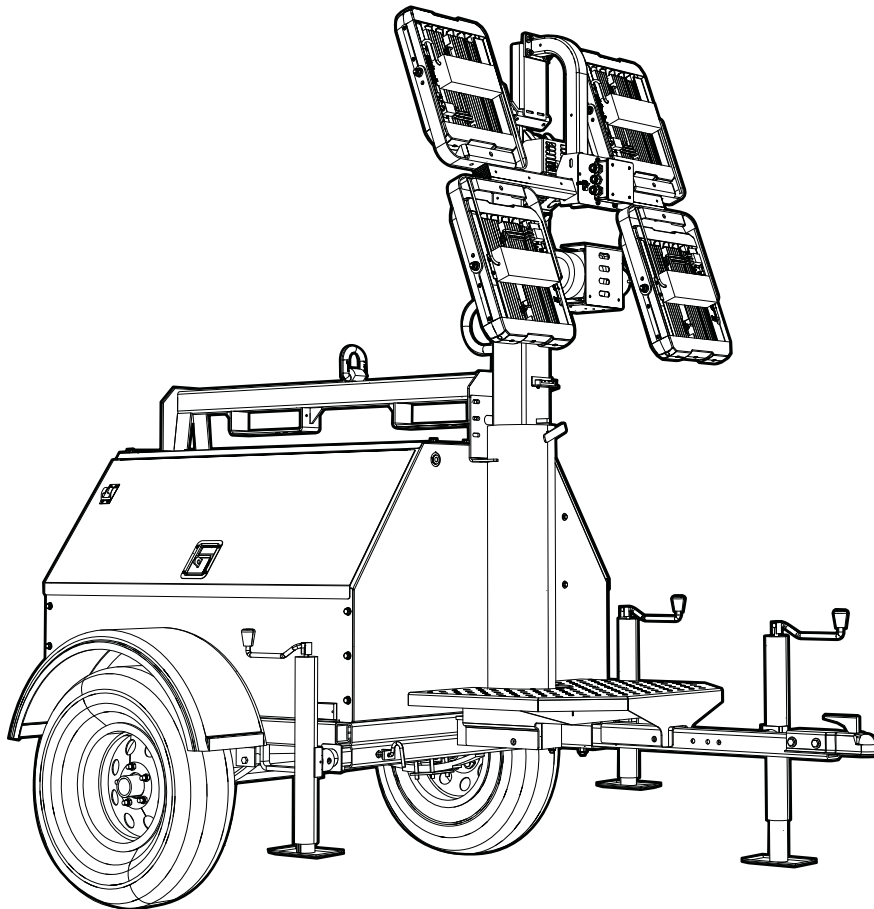


MLT4150MV-LED-STD 3

Parts Manual



MODEL NUMBER: _____

SERIAL NUMBER: _____

DATE PURCHASED: _____

SAVE THIS MANUAL FOR FUTURE REFERENCE

 **WARNING**

CANCER AND REPRODUCTIVE HARM

www.P65Warnings.ca.gov.

(000393a)

 **WARNING**

Breathing diesel engine exhaust exposes you to chemicals known to the State of California to cause cancer and birth defects or other reproductive harm.

- Always start and operate the engine in a well-ventilated area.
- If in an enclosed area, vent the exhaust to the outside.
- Do not modify or tamper with the exhaust system.
- Do not idle the engine except as necessary.

For more information go to

www.P65Warnings.ca.gov/diesel.

(000394)

Introduction

This parts manual was prepared based on the information available at the time of publication and is subject to change without notice. Generac Mobile Products reserves the right to change parts at any time. To check whether a revised parts manual is available, contact Generac Mobile Products.

DO NOT MODIFY or use this equipment for any application other than which it was designed for. To keep your equipment fully operational, it is suggested you maintain a stock of commonly used maintenance or service parts. A recommended spare parts list can be found in the back of this manual. To order service parts, please go to www.generacmobileproducts.com or call Generac Mobile Products.



WARNING

Consult Manual. Read and understand manual completely before using product. Failure to completely understand manual and product could result in death or serious injury. (000100a)

WARNING

Environmental Hazard. Always recycle batteries at an official recycling center in accordance with all local laws and regulations. Failure to do so could result in environmental damage, death, or serious injury. (000228)

GENERAC MOBILE PRODUCTS LLC

215 Power Drive • Berlin, WI 54923 U.S.A.

Phone: 920-361-4442

FAX: 920-361-4416

Toll Free: 1-800-926-9768

www.generacmobileproducts.com

For technical or parts QUESTIONS, contact Generac Mobile Products Technical Service at 1-800-926-9768.

Engine Make: _____

Engine Serial Number: _____

Engine Model Number: _____

This Page Intentionally Left Blank

Table of Contents

Introduction	iii
Parts Manual Instructions	1
Unit Decals - Exterior	2
Unit Decals - Left Side Interior	4
Unit Decals - Right Side Interior	6
Mast, Junction Box and Lights to Unit	8
LED Light Assembly	10
Mast Junction Box Assembly	12
Mast Assembly	14
Mast Assembly - Bottom Post	16
Roof and Doors to Unit	18
Front, Rear and Side Panels to Unit	20
Receptacle Box Assembly	22
Control Box to Unit	24
Control Box Assembly	26
Control Panel Assembly	28
Cooling System Assembly	30
Engine and Generator to Unit	32
Engine Assembly - Left Side	34
Engine Assembly - Right Side	36
Generator Assembly	38
Fuel Tank to Unit	40
Trailer Assembly	42
Hitch Options	44
Axle Assembly	46
Recommended Spare Parts - Engine and Service Kits	48
Recommended Spare Parts - Electrical	50
Recommended Spare Parts - Misc.....	52

This Page Intentionally Left Blank

Parts Manual Instructions

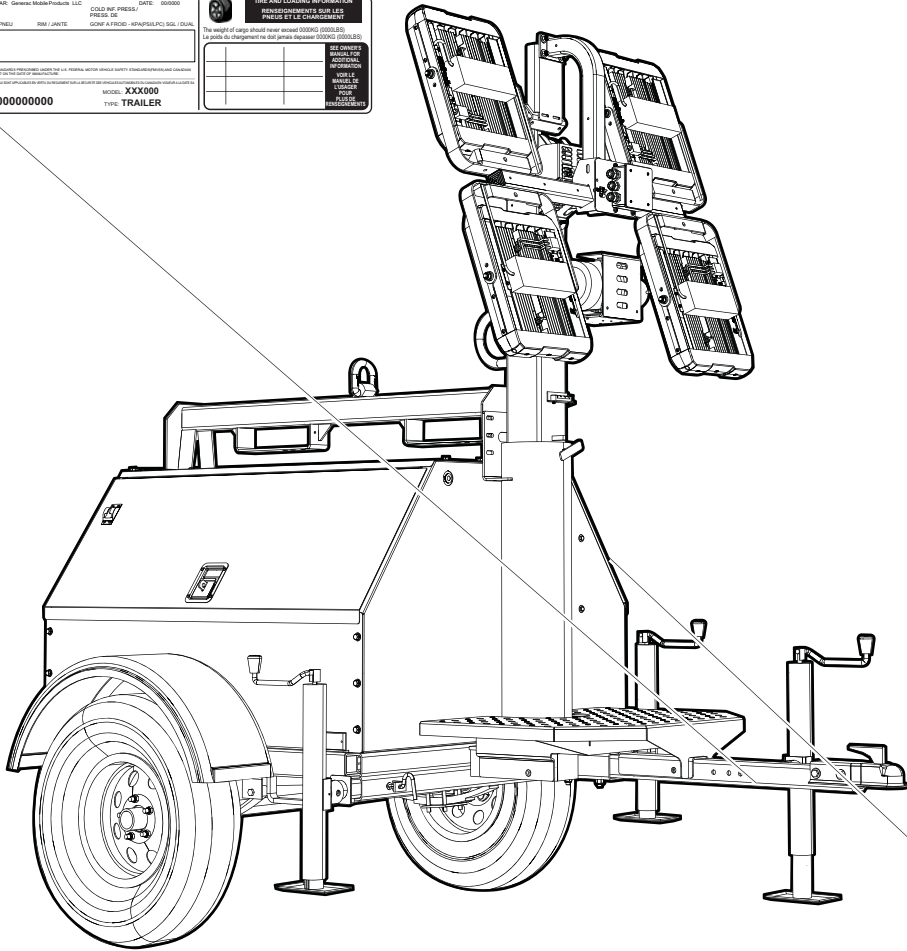
Product illustrations are only representations. Products supplied may vary from the illustrations in this parts manual. Parts not shown in the illustration are indicated by a double dash (--) in the item column.

Please be prepared to provide the following information when ordering replacement parts: model number, serial number (on unit serial tag), part number, purchase order number (if applicable), shipping address, shipping method.

Refer to the illustration below to locate the unit ID tag and Vehicle Identification Number (VIN) tag on the unit. Important information, such as the unit serial number, model number, VIN and tire loading information are found on these tags. Record the information from these tags so it is available if the tags are lost or damaged. When ordering parts or requesting assistance, you may be asked to provide this information.

VIN Tag

MANUFACTURED BY/EMERGENCY TEL: Generac Mobile Products LLC SW/WRP/REV: 0000 (00/00/00)		DATE: 00/00/00	WEIGHT AND LOADING INFORMATION REDESIGNATION'S SUN LEE P/REV: 01/13/2016	
GM/RR / P/REV: _____	TIRE / P/REV: _____	REV / UNITS: _____	The weight of cargo should never exceed 000000 (0000.00) lbs. or 40% of the design to 400 pounds (180.00) kg.	
VIN: 1LN1L1A0000000000000000		MODEL: XXX000	DO NOT EXCEED MAXIMUM LOADING CAPACITY FOR THIS EQUIPMENT	
TYPE: TRAILER				

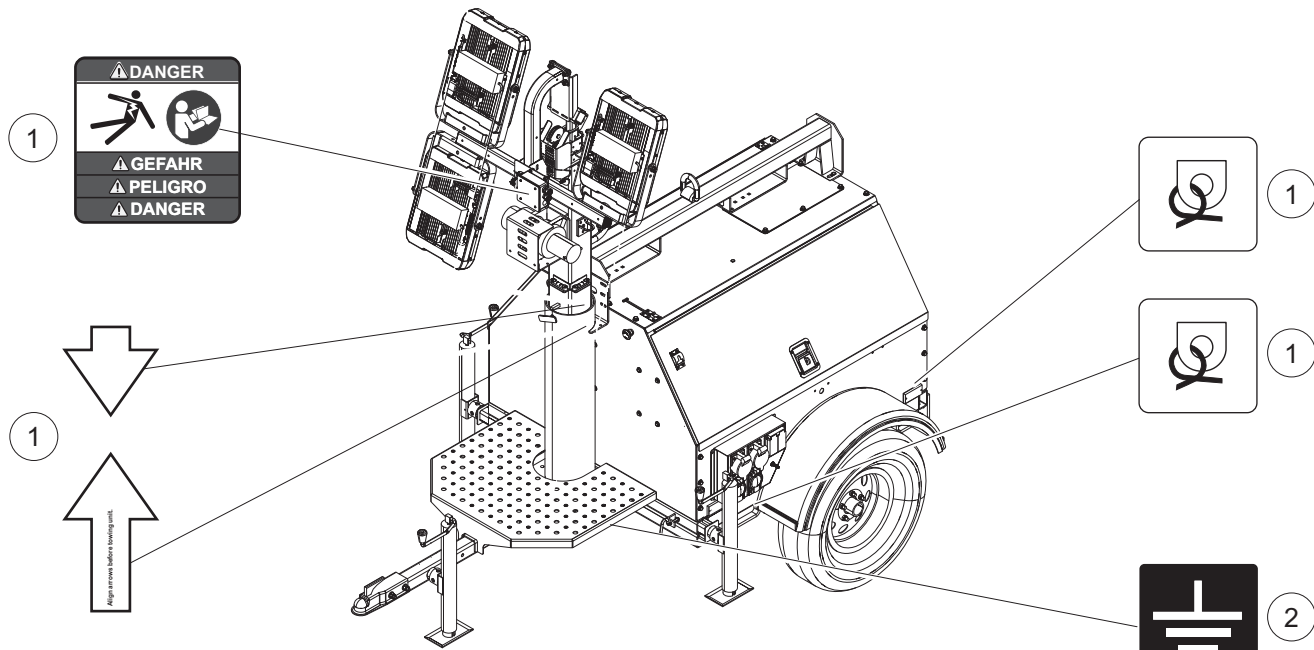


*Unit ID Tag
Located on inside
of front panel*

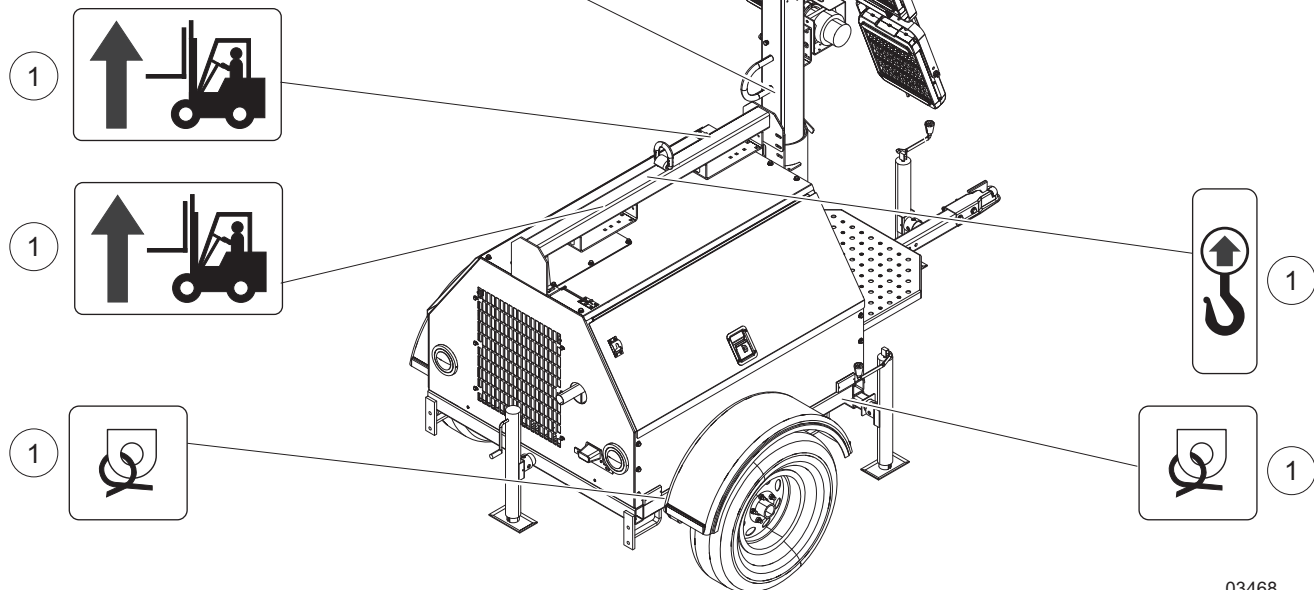
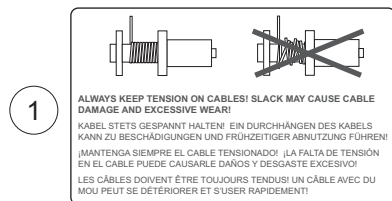
Manufactured by Generac Mobile Products LLC			
(800) 361-4442		(800) 820-6768	
Country of Origin	Model	Serial Number	
<input type="text"/>	<input type="text"/>	<input type="text"/>	
Manufacturing Code	Height (ft/kg)	RPM/Frequency	
<input type="text"/>	<input type="text"/>	<input type="text"/>	
Notes			
1 ph. 1.00V	3 ph. 80V	3 ph. 1.00V	
<input type="text"/>	<input type="text"/>	<input type="text"/>	
ICVA			Invt. Class
V			<input type="text"/>
X			

03467

UNIT DECALS - EXTERIOR



<p>1</p>	<p>TOWING INSTRUCTIONS</p> <ol style="list-style-type: none"> 1. Read operator's manual. 2. Use hitch rated for trailer's "gross vehicle weight rating". 3. Securely attach trailer to tow vehicle. 4. Attach safety chains using a cross pattern. 5. Attach breakdown chain to vehicle. 6. Check trailer lights. 	<p>ABSCHLEPPANWEISUNGEN</p> <ol style="list-style-type: none"> 1. Benutzerhandbuch lesen. 2. Anhängervorrichtung verwenden, die der „Gesamtbetriebsgewichtsklasse“ des Fahrzeuges entspricht. 3. Anhänger sicher am Abschleppfahrzeug befestigen. 4. Sicherheitsketten über Kreuz anbringen. 5. Anreizkette am Fahrzeug anbringen. 6. Anhängerleuchten prüfen. 	<p>INSTRUCCIONES PARA REMOLQUE</p> <ol style="list-style-type: none"> 1. Lea el manual del operador. 2. Use un enganche adecuado para la "capacidad de peso bruto del vehículo" del remolque. 3. Enganche firmemente el remolque al vehículo de remolque. 4. Enganche las cadenas de seguridad en forma cruzada. 5. Enganche al vehículo la cadena de emergencia para averías. 6. Revise las luces del remolque. 	<p>INSTRUCTIONS DE REMORQUAGE</p> <ol style="list-style-type: none"> 1. Lire le manuel de l'utilisateur. 2. Utiliser un attelage convenant au poids nominal brut de la remorque. 3. Ancrer solidement la remorque au véhicule tracteur. 4. Poser les chaînes de sécurité en les croisant. 5. Fixer la chaîne de remorquage au véhicule. 6. Vérifier les feux de la remorque. <p>45 mph</p>
----------	--	---	---	---



03468

UNIT DECALS - EXTERIOR

Item	Part No.	Qty	Description	Notes
1	33953	1	Decal, safety	
2	12142	1	Decal, ground	

UNIT DECALS - LEFT SIDE INTERIOR

⚠ DANGER

⚠ GEFAHR
⚠ PELIGRO
⚠ DANGER

⚠ WARNING

⚠ WARNING
⚠ ADVERTENCIA
⚠ AVERTISSEMENT

⚠ WARNING

⚠ WARNUNG
⚠ ADVERTENCIA
⚠ AVERTISSEMENT

⚠ DANGER

 Contact with overhead electrical power lines will cause serious injury or death. Do not position light tower under electrical power lines.
⚠ GEFAHR
 Der Kontakt mit elektrischen Hochspannungsleitungen kann zu schweren oder lebensgefährlichen Verletzungen führen. Den Beleuchtungswagen nie direkt unter Hochspannungsleitungen aufstellen.
⚠ PELIGRO
 El contacto con las líneas eléctricas elevadas podría causar lesiones serias o la muerte. No posicione la torre de iluminación debajo de líneas eléctricas.
⚠ DANGER
 Le contact avec des câbles électriques suspendus causera des blessures graves ou la mort. Ne pas positionner la tour lumineuse sous des câbles électriques.

⚠ WARNING
 Do not set up unit in high wind or during electrical storms! Check for overhead obstructions before using!
⚠ WARNING
 Die Einheit nicht bei hohem Wind oder bei Gewittern einrichten! Vor Gebrauch auf über Kopf befindliche Hindernisse achten!
⚠ ADVERTENCIA
 ¡No monte la unidad si hay viento fuerte ni durante tormentas eléctricas! ¡Revise las obstrucciones elevadas antes de usarla!
⚠ AVERTISSEMENT
 Ne pas installer l'appareil par vents violents ou lorsqu'il y a un orage! Vérifier l'absence d'obstacles en hauteur avant l'utilisation!

ENGINE OPERATION / MOTORBETRIEB / FUNCIONAMIENTO DEL MOTOR / FONCTIONNEMENT DU MOTEUR:

1 BEFORE STARTING THE ENGINE / VOR DEM STARTEN DES MOTORS / ANTES DE ENCENDER EL MOTOR / AVANT DE FAIRE DEMARRER LE MOTEUR:

1. CHECK FUEL LEVEL. TREIBSTOFFSTAND PRÜFEN. VERIFIEZ LE NIVEAU DE COMBUSTIBLE. VERIFIEZ LE NIVEAU D'ESSENCE.	3. CHECK COOLANT LEVEL. KÜHLMITTELSTAND PRÜFEN. VERIFIEZ LE NIVEAU DES REFRIGÉRANTS. VERIFIEZ LE NIVEAU DE LIQUIDE DE REFRIGÉREMENT.
2. CHECK ENGINE OIL LEVEL. MOTORÖLSTAND PRÜFEN. VERIFIEZ LE NIVEAU D'HUILE DU MOTEUR.	4. MAKE SURE MAIN CIRCUIT BREAKER IS OFF. NACHWEISEN SIE SICH, DASS DER HAUPTTRENNSCHALTER AUSGESCHALTET IST. ASSUREZ-SE QUE LE CONTACTEUR PRINCIPAL EST DÉSACTIVÉ.

2 ALL CIRCUIT BREAKERS OFF! / ALLE TRENNSCHALTER SIND AUSGESCHALTET! / ¡TODOS LOS CORTACIRCUITOS ESTÁN APAGADOS! / TOUS LES DISJONCTEURS DU CIRCUIT SONT DÉSACTIVÉS!

3 START ENGINE / MOTOR STARTEN / ENCIENDA EL MOTOR / FAIRE DEMARRER LE MOTEUR:

ACTIVATE GLOW PLUGS 	CRANK ENGINE TO START 	RELEASE KEY
BEI DEMARRAGE ANFANGEN ACTIVER LES BOUGIES DE PRÉCHAUFFAGE	MOTOR ZUM STARTEN MIT FÜHRHEBELN ODER MIT EINSTRICHHEBELN POSSA ENTWEDER MIT FÜHRHEBELN ODER MIT EINSTRICHHEBELN	SCHLÜSSEL FREI GEBEN SÜBSTE LA LLAVE

4 TURN CIRCUIT BREAKERS ON / TRENNSCHALTER EINSCHALTEN / ENCIENDA LOS CORTACIRCUITOS / ACTIVER LES DISJONCTEURS DU CIRCUIT

SHUT DOWN / AUSSCHALTEN / APAGUE / ÉTEINDRE

5 ALL CIRCUIT BREAKERS OFF! / ALLE TRENNSCHALTER SIND AUSGESCHALTET! / ¡TODOS LOS CORTACIRCUITOS ESTÁN APAGADOS! / TOUS LES DISJONCTEURS DU CIRCUIT SONT DÉSACTIVÉS!

6 STOP ENGINE / MOTOR STOPPEN / DETENGA EL MOTOR / ÉTEINDRE LE MOTEUR

⚠ WARNING

 Read and understand the supplied operator's manual before operating this machine. Failure to do so increases the risk of injury to yourself or others.
⚠ WARNUNG
 Vor dem Betrieb dieser Maschine muss das Bedienerhandbuch gelesen und verstanden worden sein. Ein Unterlassen erhöht das eigene Verletzungsrisiko und das anderer.
⚠ ADVERTENCIA
 Lea y asegúrese de comprender el manual del operador proporcionado antes de operar esta máquina. De lo contrario, aumentará el riesgo de lesiones a usted y a otras personas.
⚠ AVERTISSEMENT
 Lire et comprendre le manuel de l'utilisateur fourni avec l'appareil avant de l'utiliser. L'omission de le faire augmente le risque de blessure pour vous et pour les autres.

⚠ WARNING

⚠ WARNING
⚠ ADVERTENCIA
⚠ AVERTISSEMENT

NOTICE
 REPLACE ENGINE OIL FILTER AFTER INITIAL 50 HOUR BREAK-IN WITH FILTER PART NUMBER: 10000014392

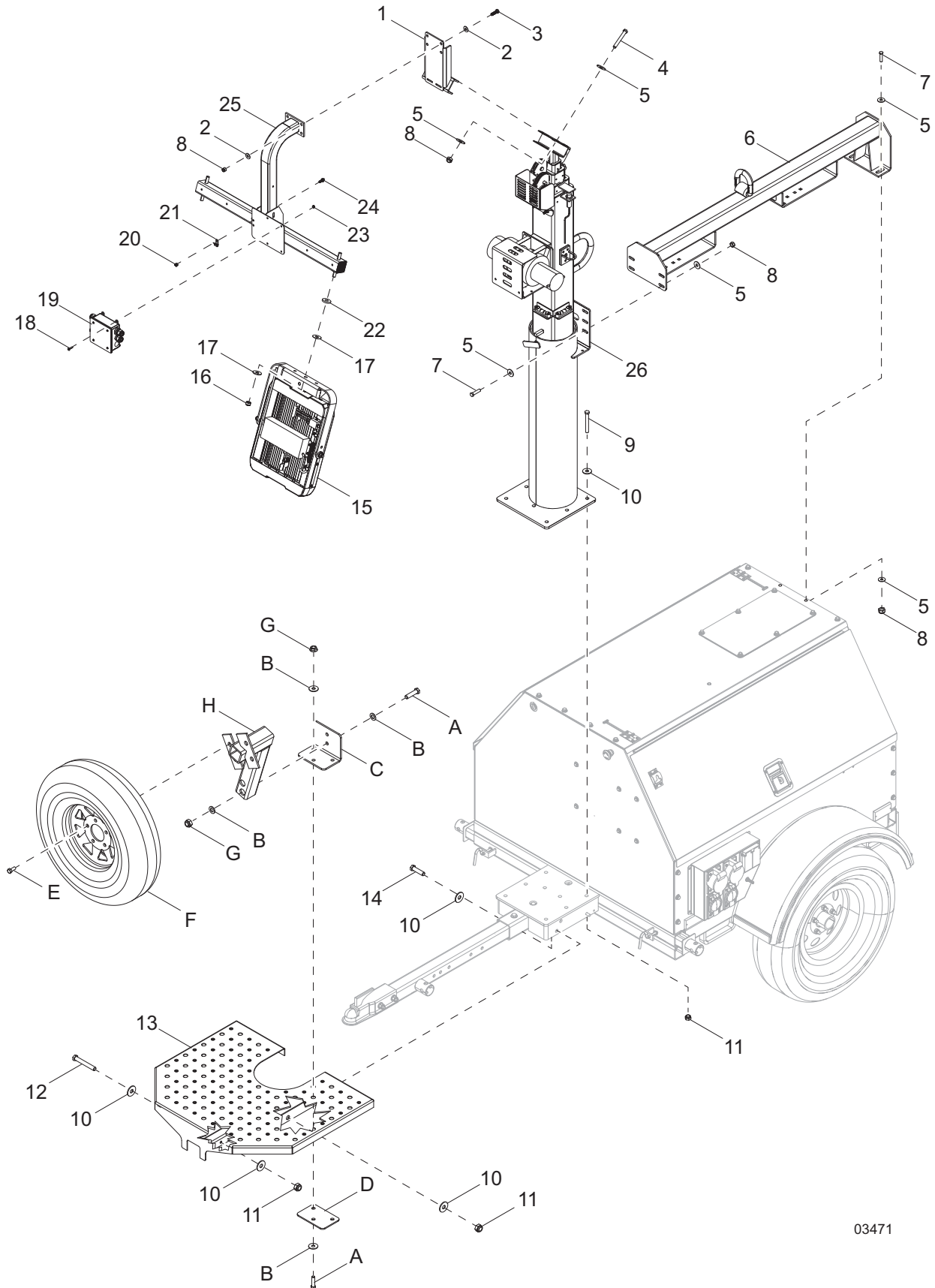
UNIT DECALS - LEFT SIDE INTERIOR

Item	Part No.	Qty	Description	Notes
1	33953	1	Decal, safety	
2	10000014196	1	Decal, 50 hour oil filter	

UNIT DECALS - RIGHT SIDE INTERIOR

Item	Part No.	Qty	Description	Notes
1	33953	1	Decal, safety	
2	33301	1	Decal, mast set-up	
3	27433	1	Decal, ultra-low sulfur	
4	10000038540	1	Decal, Prop 65	

MAST, JUNCTION BOX AND LIGHTS TO UNIT



03471

MAST, JUNCTION BOX AND LIGHTS TO UNIT

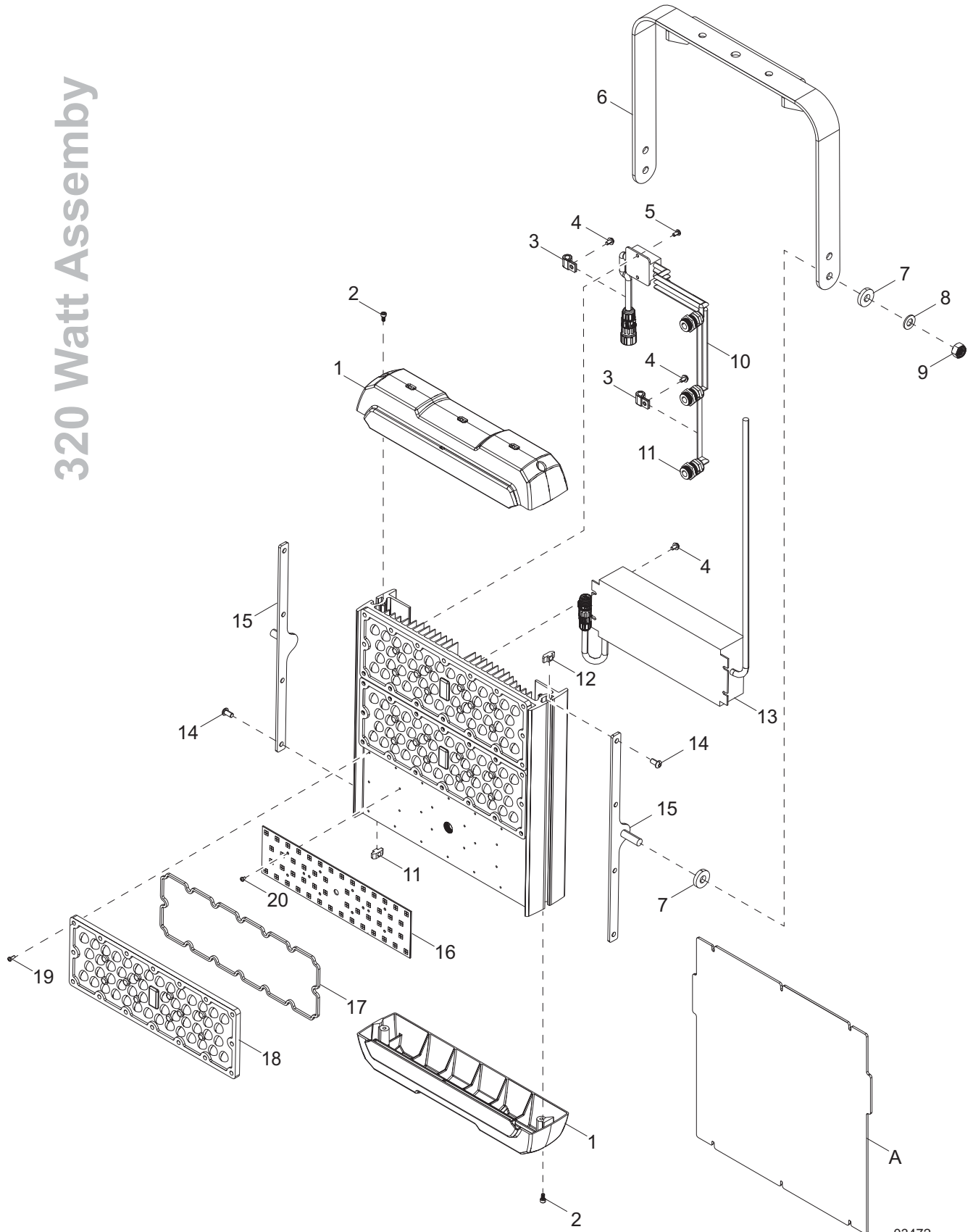
Item	Part No.	Qty	Description	Notes
1	A0001214585	1	Weldment, mast crossbar adapter	
2	60386	8	Washer, .375 flat .993/.064	
3	60352	4	Screw, .375-16 x 1.125 standard hex, G5	
4	60753	2	Screw, .375-16 x 3.5 standard hex, G5	
5	60698	12	Washer, .375 flat .875/.040, SS	
6	A0001214536	1	Weldment, lift support - vertical mast	
7	61036	4	Screw, .375-16 x 1.25 standard hex, SS	
8	60358	10	Nut, .375-16 nylock, G5	
9	60683	6	Screw, .500-13 x 1.50 standard hex, SS	
10	60309	12	Washer, .500 flat 1.060/.090	
11	62221	9	Nut, .500-13 nylock, G5	
12	50215	2	Screw, .500-13 x 4.0 standard hex, G5	
13	33234B	1	Weldment, step platform	
14	60388	2	Screw, .500-13 x 1.50 standard hex, G5	
15	A0000948785	4	Assembly, light	
16	60305	4	Nut, M12-1.75 nylock, G8	
17	A0000221212	8	Washer, flat M12 x 37OD x 1.50 - nylon	
18	60062	4	Screw, 10-32 x .750 pan Phillips, G2	
19	A0001533483	1	Assembly, mast junction box	
20	60787	1	Nut, .250-20 nylock - SS	
21	60375	1	Clamp, tubing .312 light duty	
22	G052259	4	Washer, M12 flat	
23	60061	4	Nut, 10-32 nylock	
24	60107	1	Screw, .250-20 x .750 serrated flange hex, G5	
25	A0000199129	1	Weldment, mast crossbar	
26	A0001533493	1	Assembly, mast	

Page 14

Spare Tire: (if equipped)

A	60388	5	Screw, .500-13 x 1.50 standard hex, G5
B	60309	10	Washer, .500 flat 1.060/.090
C	35030B	1	Bracket, spare tire holder
D	35031B	1	Plate, spare tire holder
E	60096	5	Nut, .500-20 lug, G5
F	15976	1	Wheel, ST175/80D13, 1360 lb
G	62221	5	Nut, .500-13 nylock, G5
H	10734B	1	Weldment, spare tire holder
J	69601	1	Lug, locking
K	51779	1	Plate, end cap

320 Watt Assembly



03472

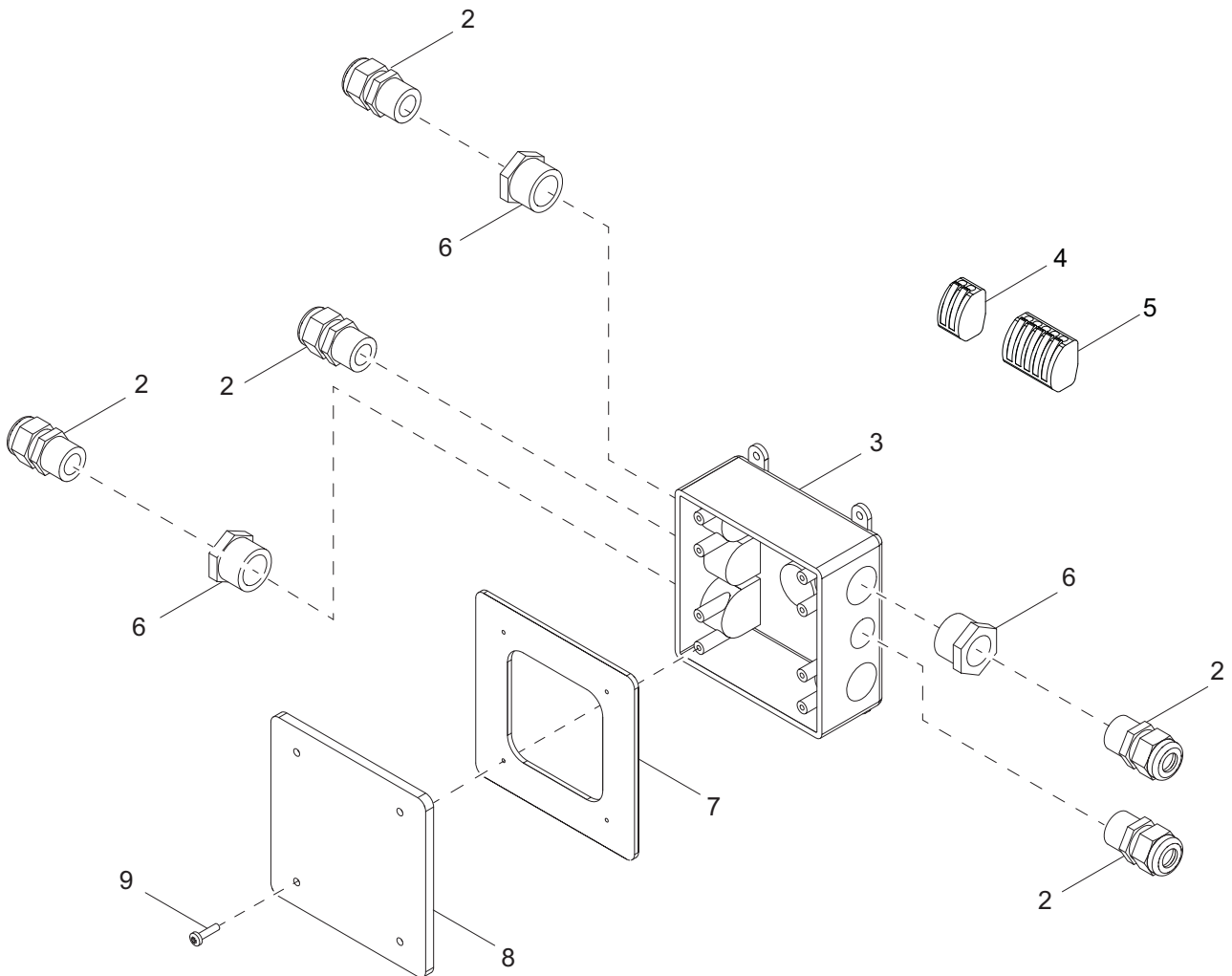
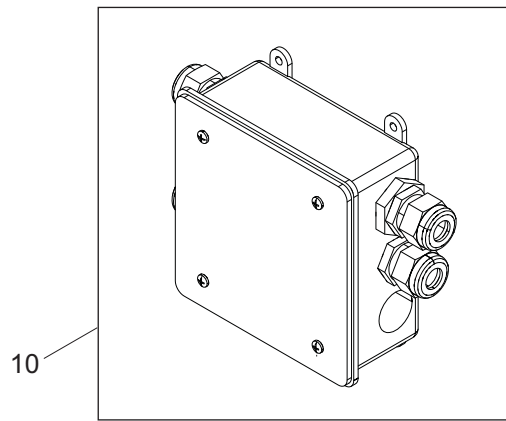
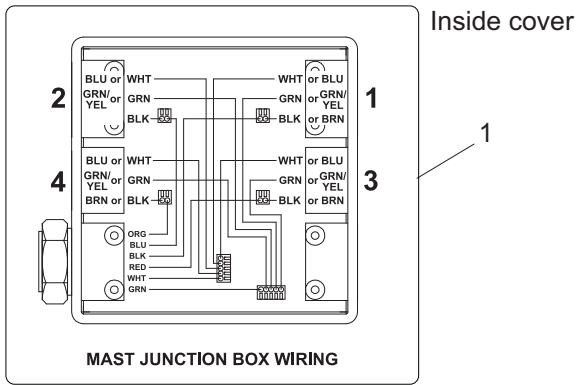
LED LIGHT ASSEMBLY

Item	Part No.	Qty	Description	Notes
1	A0000092362	2	End cap, with diffuser slot	
2	A0000188756	4	Screw, M4-.7 x 12	
3	G020151	2	Clamp, .312 x .302 - steel/vinyl	
4	N/A	6	Screw, M4-.7 x 14 PPHM	
5	G020745	2	Screw, M4-.7 x 12 PPHM	
6	A0000416868	1	Bracket, trunnion - 320W	
7	A0000188752	4	Washer, M10 ID x 25MM OD x 5 MM T	
8	60027	2	Washer, M10 flat	
9	A0000009451	2	Nut, M10-1.50 nylock, G8.8	
10	A0000188731	1	Cable, 2 position, 3 way splitter - parallel	
11	A0000092266	3	Strain relief, 320W LED	
12	A0000188739	8	Nut, M6-1.00 x 12 hammer	
13	A0000188779	1	Assembly, driver with connector	
14	A0000214354	8	Screw, M6-1.0 x 12 BHSC - black	
15	A0000095202	2	Bracket, trunnion to frame	
16	A0000092359	3	LED, PCB populated 3030	
17	A0000092361	3	Gasket, optical lens seal	
18	A0000092360	3	Lens, optical 60°	
19	A0000192578	48	Screw, mounting - optical lens	
20	A0000192575	30	Screw, mounting - PCB	

Diffused Lighting (If equipped):

A	A0000095669	1	Kit, diffuser lens 320W - LED
--	A0000277071	1	Kit, diffuser lens storage 320W - LED

MAST JUNCTION BOX ASSEMBLY

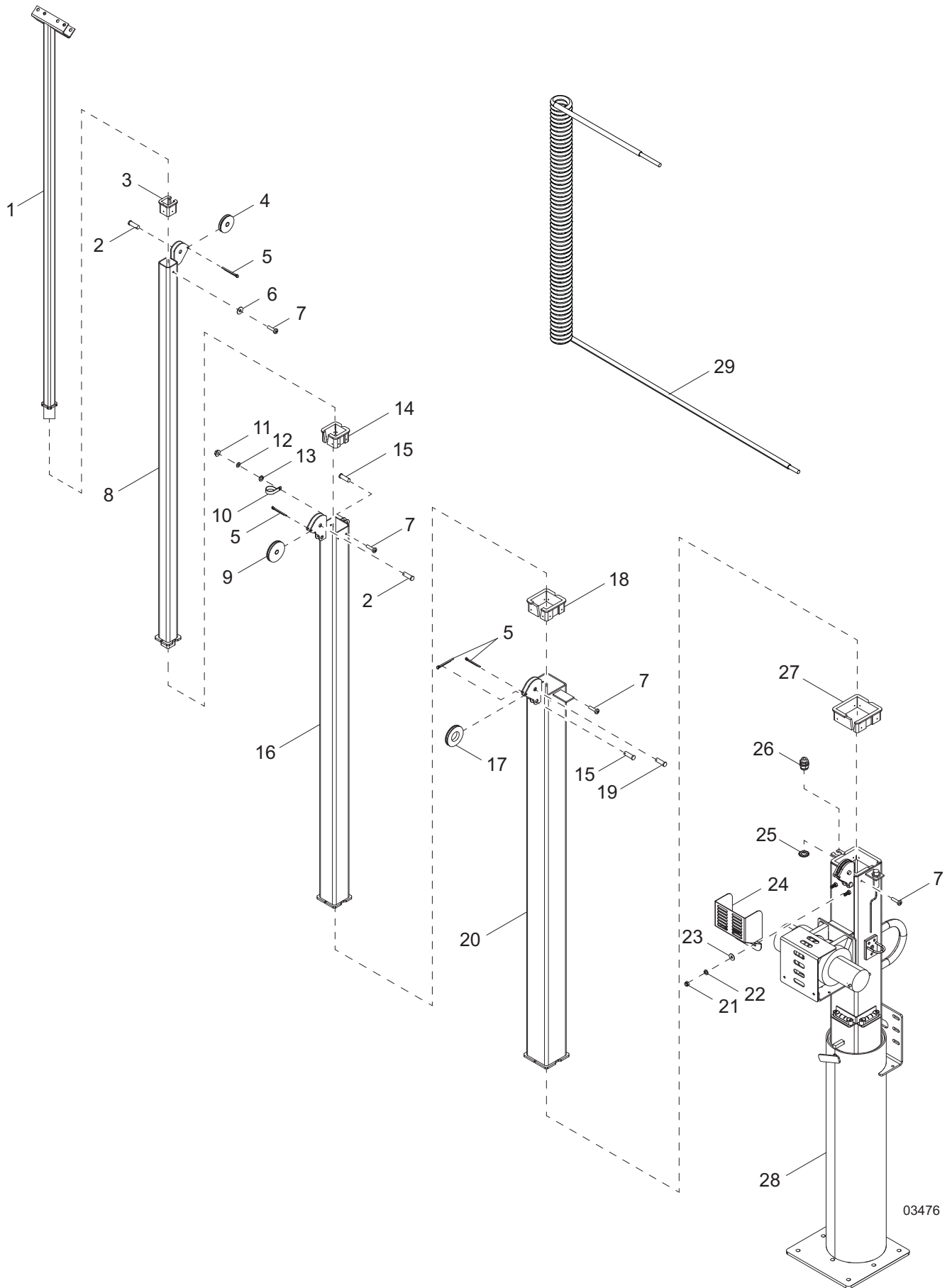


03475

MAST JUNCTION BOX ASSEMBLY

Item	Part No.	Qty	Description	Notes
1	10000023482	1	Decal, mast junction box wiring	
2	15864	5	Strain relief, .500NPT water tight	
3	12094	1	Box, junction	
4	66100	4	Connector, 2 position.	
5	66102	2	Connector, 5 position.	
6	60755	2	Fitting, str .750MNPT x .500FNPT, nylon	
7	13749SRV	1	Gasket, junction box - HFI 281000	
8	12109	1	Cover, box, 2-gang plastic	
9	60424	4	Screw, 6-32 x .750 pan Phillips, G2	
10	A0001533483	1	Assembly, mast junction box	

MAST ASSEMBLY

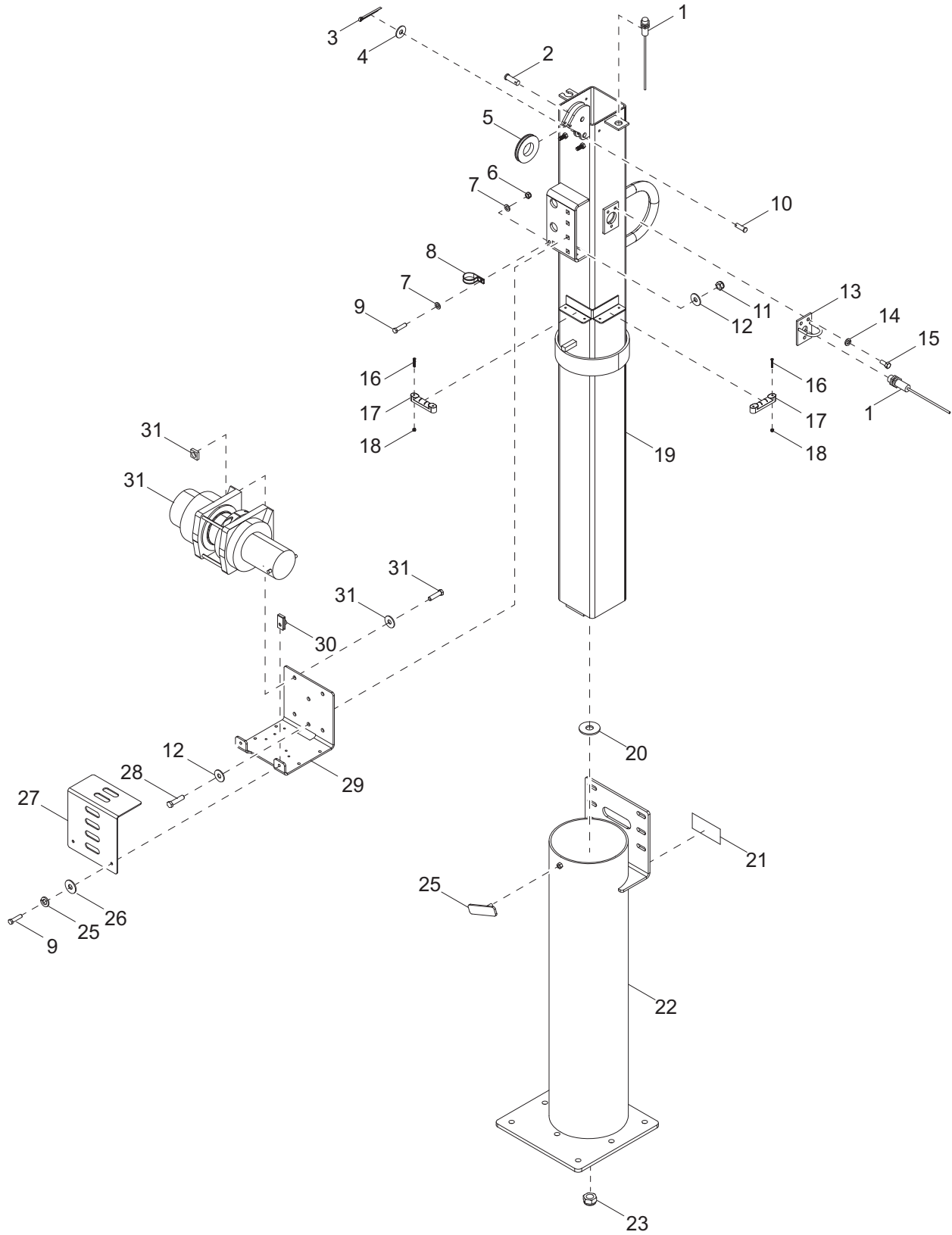


03476

MAST ASSEMBLY

Item	Part No.	Qty	Description	Notes
1	32015B	1	Weldment, mast section, 1.250 in	
2	15015	2	Pin, clevis - .500 dia x 1.250	
3	32409	1	Shim, 2 x 2 tube	
4	32524	1	Sheave, 2.50 in	
5	15380	4	Pin, cotter - .125 x 1.250	
6	60067	2	Washer, #10 flat .435/.060, SS	
7	32569	23	Screw, 8-16 x .375 pan Phillips, SS	
8	32010B	1	Weldment, mast section, 2 in	
9	14262	1	Sheave, 3 in	
10	15627	1	Clamp, tubing - .625 heavy-duty	
11	60140	1	Nut, .375-16 hex, G5	
12	60206	4	Washer, .375 split lock	
13	60386	4	Washer, .375 flat .993/.064	
14	13789	1	Shim, 3 x 3 tube	
15	63325	1	Pin, clevis - .500 dia x 1.063	
16	32007B	1	Weldment, mast section - 3 in	
17	33736	1	Assembly, pulley vertical mast	
18	13790	1	Shim, 4 x 4 tube	
19	63280	1	Pin, grooved clevis - .500 dia x .780	
20	32004B	1	Weldment, mast section, 4 in	
21	60285	2	Nut, .312-18 hex, G2	
22	60271	2	Washer, .312 split lock	
23	60119	2	Washer, .312 flat .875/.070	
24	33395B	1	Guard, vertical mast - pulley	
25	15861	1	Nut, .500NPT lock	
26	14871	1	Strain relief, .500NPT, .500 cord	
27	32408	1	Shim, 5 x 5 tube	
28	A0001533493	1	Assembly, mast bottom	<i>Page 16</i>
29	A0000098118	1	Coil cord	
--	34132	1	Cable, .188 in. x 116 in., SS	Attaches to item 30
--	34128	1	Cable, .188 in. x 69.25 in., SS	Attaches to item 22
--	34129	1	Cable, .188 in. x 69.75 in., SS	Attaches to item 16
--	34130	1	Cable, .188 in. x 67.875 in., SS	Attaches to item 8

MAST ASSEMBLY - BOTTOM POST

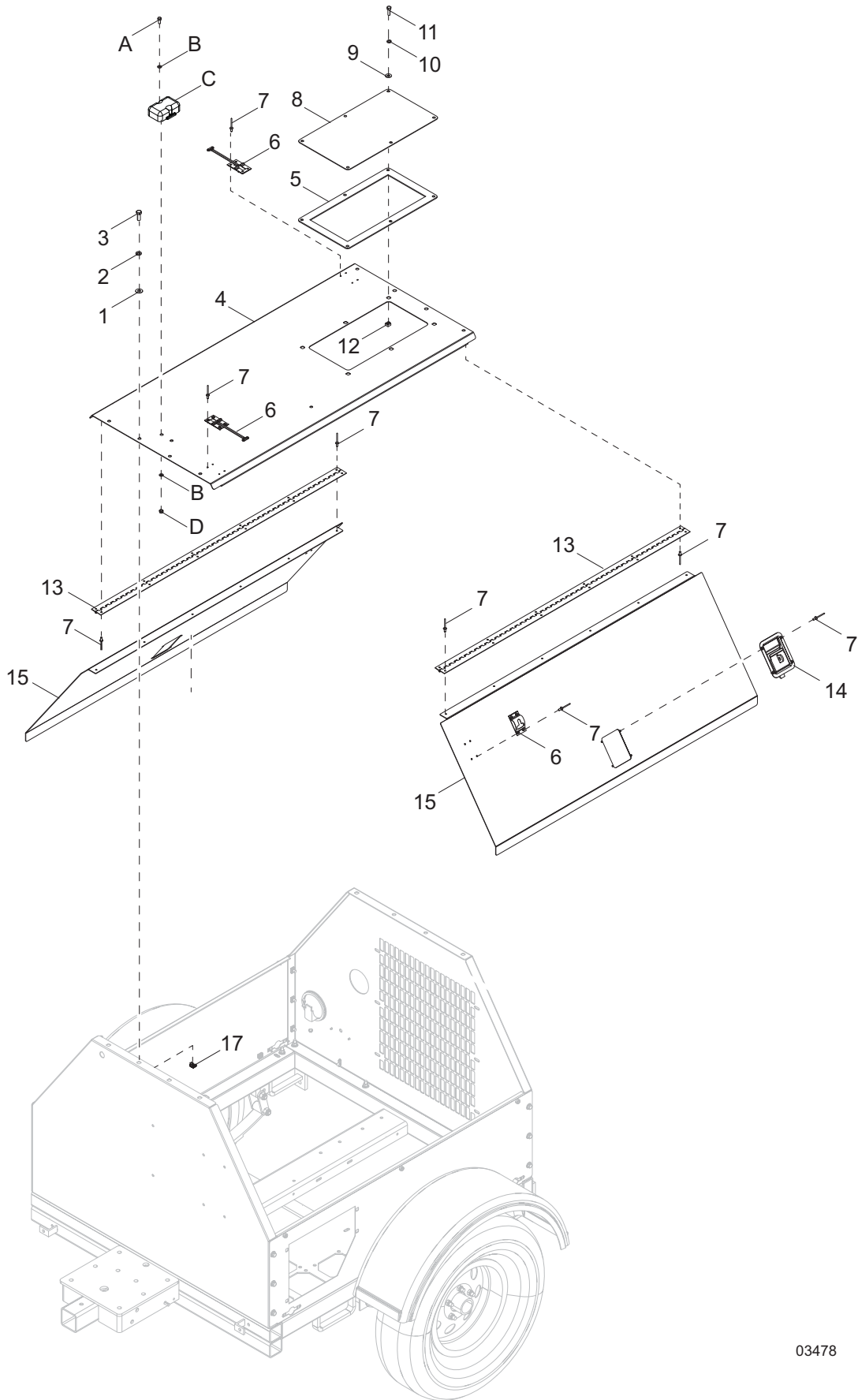


03477

MAST ASSEMBLY - BOTTOM POST

Item	Part No.	Qty	Description	Notes
1	31757	2	Sensor, proximity	
2	63325	1	Pin, clevis - .500 diameter x 1.063	
3	15380	1	Pin, cotter - .125 x 1.25	
4	60309	1	Washer, .500 flat 1.060/.090	
5	33736	1	Assembly, pulley	
6	60144	1	Nut, .250-20 nylock, G5	
7	60696	2	Washer, .250 flat .625/.050, SS	
8	16143	1	Clamp, tubing - .500	
9	60393	1	Screw, .250-20 x 1.0 standard hex, G5	
10	63272	1	Pin, clevis - .500 diameter x 1.25	
11	60358	4	Nut, .375-16 nylock, G5	
12	60386	4	Washer, .375 flat .993/.064	
13	13796B	1	Weldment, proximity sensor bracket	
14	60271	2	Washer, .312 split lock	
15	60168	2	Screw, .312-18 x .750 standard hex, G5	
16	A0000945464	4	Screw, M4-0.7 x 25 flat head Phillips - SS	
17	A0000764090	2	Level	
18	60051	4	Nut, M4 -0.70 nylock, G8.8	
19	A0001413208	1	Weldment, mast bottom - 5 inch	
20	60247	1	Washer, .750 flat 2.020/.130	
21	50197	0.75 ft	Weatherstripping - .06 x 1.0	
22	33224B	1	Weldment, mast tube	
23	60584	1	Nut, .750-10 nylock, G5	
24	11649Z	1	Weldment, T-bolt	
25	60286	2	Washer, .250 split lock	
26	60243	2	Washer, .250 flat .735/.060	
27	33822B	1	Bracket, winch cover	
28	60352	2	Screw, .375-16 x 1.25 standard hex, G5	
29	33858B	1	Bracket, winch mounting	
30	61143	2	Nut, .250-20 U-clip - short type	
31	34293	1	Winch, electric - 1200 lb hoist	
--	17936	1	Wire group - electric winch	
--	31759	1	Wire group - winch battery power cables	
--	31758	1	Wire group - winch power cables	
--	31757	1	Wire group - proximity sensor	

ROOF AND DOORS TO UNIT

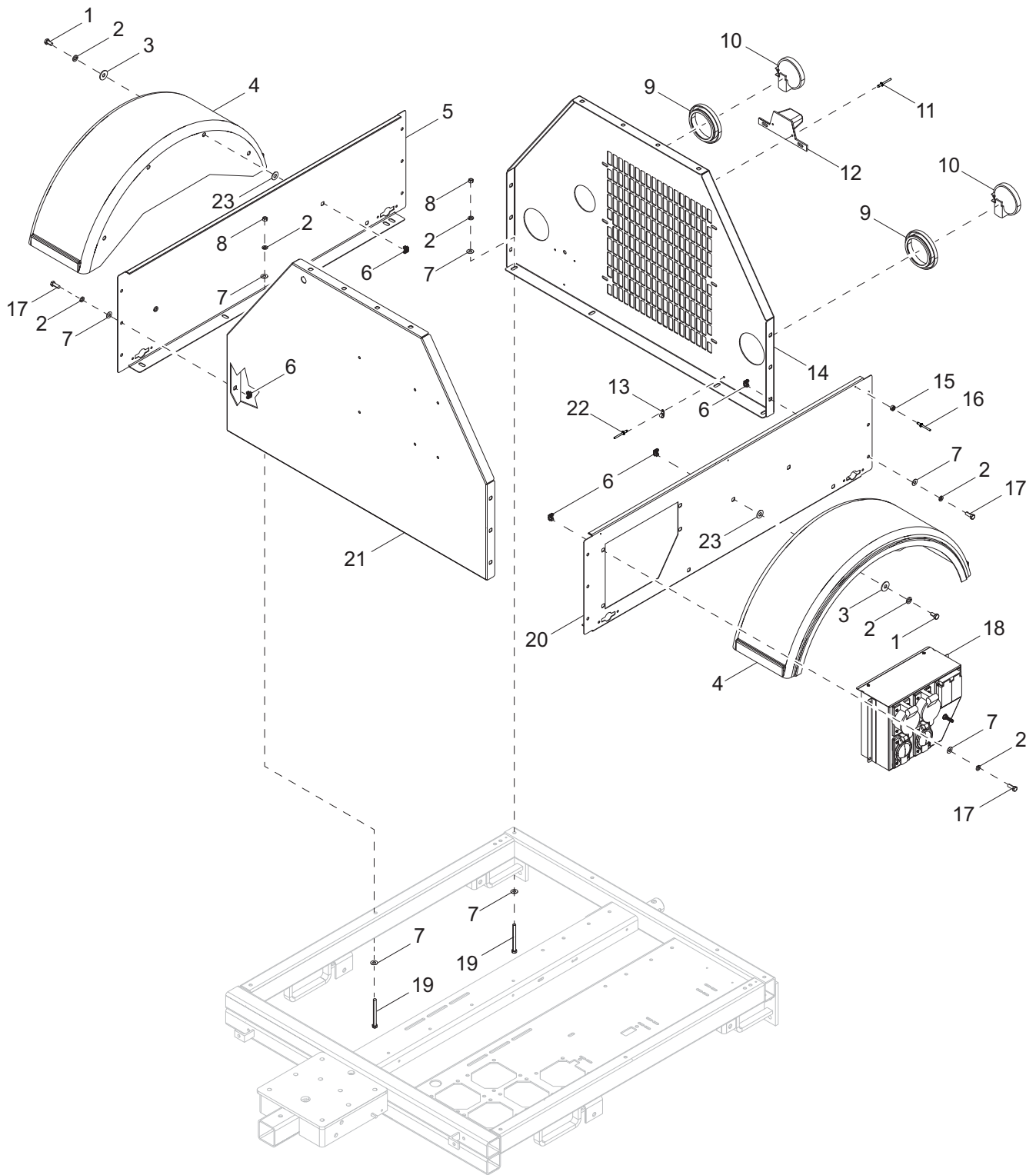


03478

ROOF AND DOORS TO UNIT

Item	Part No.	Qty	Description	Notes
1	60698	8	Washer, .375 flat .875/.040, SS	
2	60703	8	Washer, .375 split lock, SS	
3	60690	8	Screw, .375-16 x 1.0 std hex, SS	
4	10284W	1	Panel, roof w/access hole	
5	12195	1	Gasket, radiator plate	
6	12605	2	Latch, door - T style	
7	60268	48	Rivet, .188 diameter x .126 to .250 grip - SS	
8	25333W	1	Panel, back access	
9	60340	6	Washer, .312 flat .875/.040 - SS	
10	G070006	6	Washer, M-8 split lock	
11	60507	6	Screw, .312-18x 1.00 standard hex - SS	
12	15425	6	Nut, cage .312-18	
13	16598	2	Hinge, door - .188 pin, 48.5 in. long	
14	A0000278989	2	Latch, paddle - 7 lb spring	
15	16591W	2	Panel, door	
<i>Telemetry: (if equipped)</i>				
A	61180	2	Screw, 10-32 x .750 pan phil	
B	60067	4	Washer, flat .435/.060	
C	37731	1	Telemetry, ZTR M6H	
D	60061	2	Nut, 10-32 nylock	
--	61055	1	Clip, rod hold	
--	37785	1	Harness, ZTR M6H	

FRONT, REAR AND SIDE PANELS TO UNIT

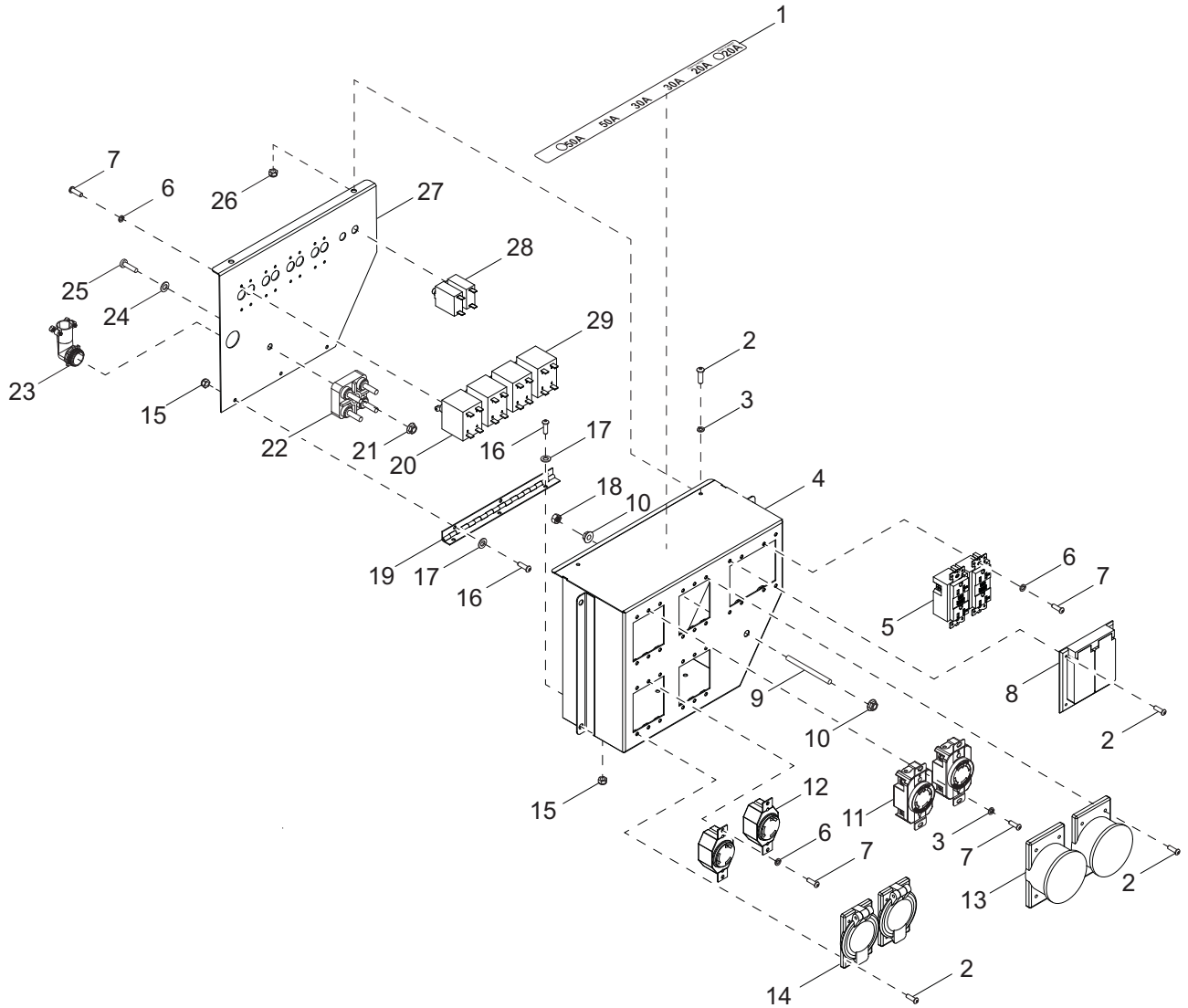


03044

FRONT, REAR AND SIDE PANELS TO UNIT

Item	Part No.	Qty	Description	Notes
1	60295	8	Screw, .375-16 x .750 standard hex - SS	
2	60703	40	Washer, .375 split lock - SS	
3	60729	8	Washer, .375 fender 1.500/.090	
4	11381	2	Fender, single wall black - plastic	
5	A0001533872	1	Panel, right side	
6	60657	30	Nut, .375-16 cage, G5	
7	60698	42	Washer, .375 flat .875/.040 - SS	
8	60140	10	Nut, .375-16 hex, G5	
9	10221	2	Grommet, rear light - rubber	
10	10220	2	Light, rear tail/turn - round	
11	60423	2	Rivet, .188 diameter x .250 to .375 grip	
12	10223SRV	1	Assembly, license plate holder	
13	15628	2	Clamp, wire .38 - plastic	
14	35503W	1	Panel, rear	
15	15215	6	Bumper, rubber	
16	60267	6	Rivet, .125 diameter x .191 to .270 grip	
17	60690	22	Screw, .375-16 x 1.00 standard hex - SS	
18	A0001572384	1	Assembly, receptacle box	
19	60689	10	Screw, .375-16 x 4.00 standard hex - SS	
20	A0001533871	1	Panel, left side	
21	33746W	1	Panel, front	
22	60268	2	Rivet, .188 diameter x .126 to .250 grip	
23	60386	8	Washer, .375 flat .993/.064	
--	10264	1	Harness, left side trailer	
--	60829	1	Nut, .500-13 jam - SS	
--	15627	1	Clamp, tubing .625 heavy-duty	

RECEPTACLE BOX ASSEMBLY

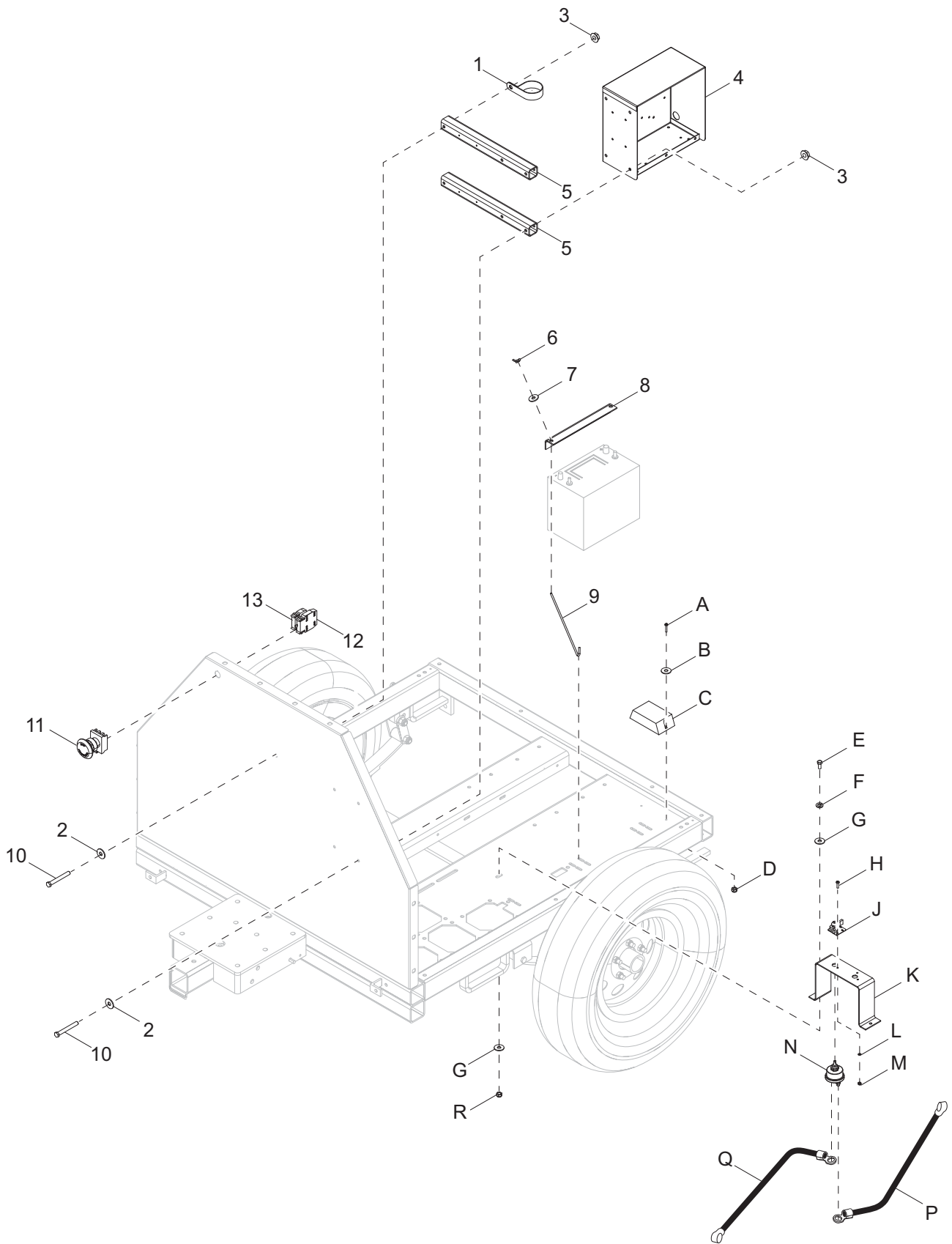


03479

RECEPTACLE BOX ASSEMBLY

Item	Part No.	Qty	Description	Notes
1	10792	1	Decal, aux breakers - 50,50,30,30,20,20	
2	60770	22	Screw, M4-.70 x 20 pan Phillips, G4.8	
3	60084	2	Washer, M4 flat	
4	10783W	1	Weldment, receptacle box	
5	14130	2	Receptacle, 120V/20A GFI (5-20R)	
6	60058	16	Washer, #6 split lock	
7	60405	16	Screw, 6-32 x .250 pan Phillips, G2	
8	15849	1	Cover, receptacle - 20A GFCI dual	
9	63241	1	Stud, .312-18 x 3.00, G5	
10	60095	2	Nut, .312-18 serrated flange	
11	65488	2	Receptacle, 240V/30A twist (L14-30R)	
12	18089	2	Receptacle, 240V/50A twist-lock	
13	65460	2	Cover, receptacle - 20/30A twist-lock	
14	65467	2	Cover, receptacle - 50A twist (deep)	
15	60038	6	Nut, M5-.80 nylock	
16	60044	6	Screw, M5-.80 x 12 pan Phillips, G4.8	
17	60041	6	Washer, M5 flat	
18	60285	4	Nut, .312-18 hex, G2	
19	10784	1	Hinge, piano - 9 in	
20	65492	2	Breaker, 50A, 250V, 2-pole w/aux	
21	14231	1	Nut, 10-32 hex, G2	
22	65519	1	Block, terminal - 4 pole stud type	
23	65535	1	Clamp, 90 degree 3/4 in	
24	60237	1	Washer, #10 flat .495/.036	
25	61180	1	Screw, M8-1.25 x 30 serrated flange hex, G8.8	
26	60051	2	Nut, M4 -.70 nylock, G8.8	
27	10771W	1	Panel, outlet	
28	65849	2	Breaker, 20A, 120V, 1-pole, push button	
29	66097	2	Breaker, 30A, 250V, 2-pole, 1 lever	
--	30782	1	Harness, control box to generator	
	A0001572384	1	Assembly, receptacle box	Items 1-28

CONTROL BOX TO UNIT



03214

CONTROL BOX TO UNIT

Item	Part No.	Qty	Description	Notes
1	60649	1	Clamp, tubing - .750 heavy duty	
2	60340	12	Washer, .312 flat .875/.040, SS	
3	60303	6	Nut, .312-18 nylock, G2	
4	33869	1	Control box	<i>Page 26</i>
5	11543B	2	Spacer, control box	
6	60090	2	Nut, wing - .250 x 20	Included w/item 9
7	60089	2	Washer, .250 flat	Included w/item 9
8	12924B	1	Bracket, battery hold down	
9	N/A	2	Bolt, J - .250-20 x 9.0	
10	62043	6	Screw, .312-18 x 2.25 std hex, SS	
11	65470	1	Switch, E-stop operator	
12	65580	1	Block, E-stop contactor N.C.	
13	65584	1	Block, E-stop contactor N.O. / N.O.	
--	A0001533867	1	Assembly, E-stop switch	items 11, 12, 13

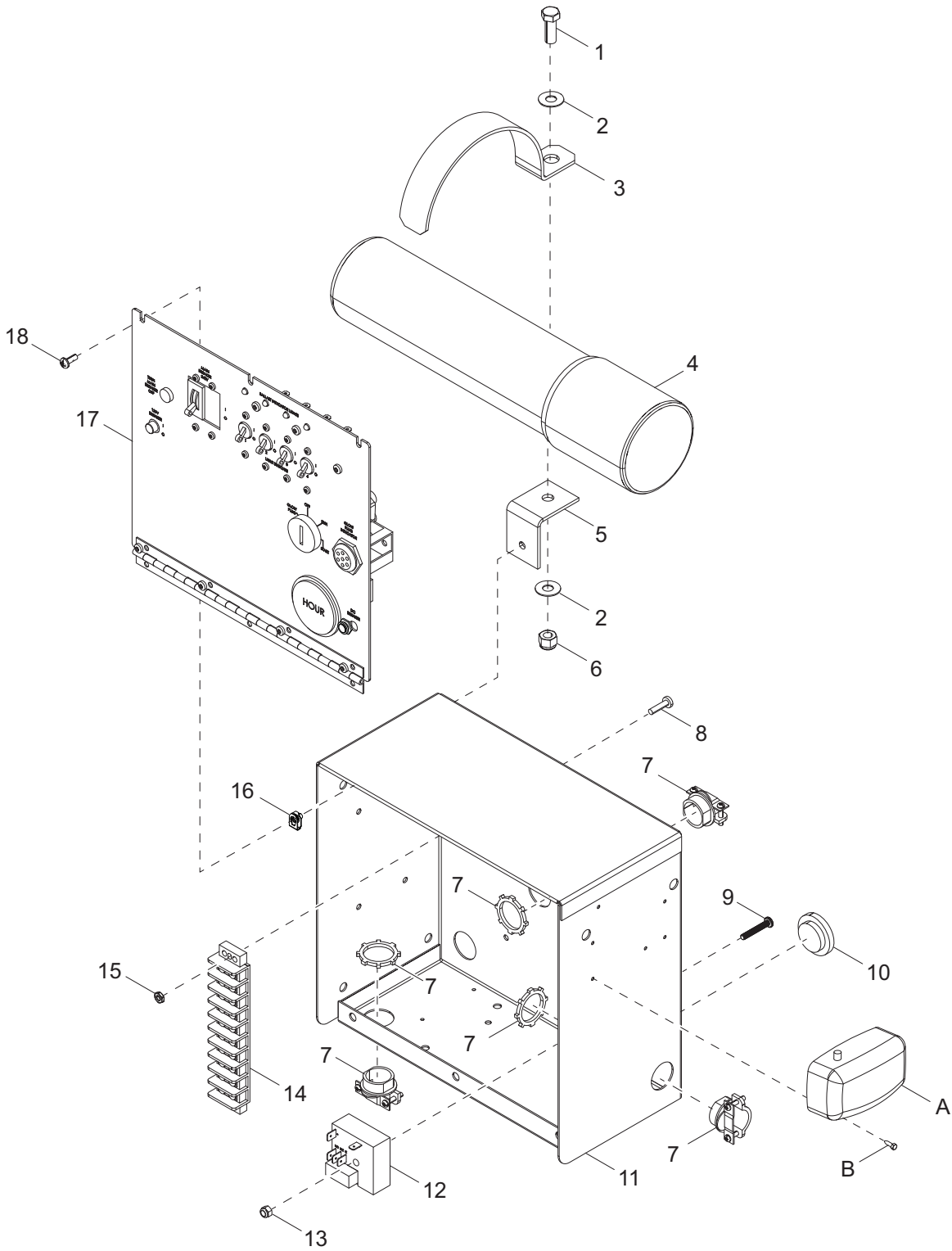
Battery Charger: (if equipped)

A	60694	2	Screw, 8-32 x .750 pan Phillips, SS
B	60067	2	Washer, #10 flat .435/.060, SS
C	66212	1	Charger, battery - 2A
D	60270	2	Nut, 8-32 nylock
--	21259	1	Decal, battery charger

Battery Disconnect: (if equipped)

E	60028	2	Screw, .312-18 x 1.0 std hex, G5
F	60271	2	Washer, .312 split lock
G	60119	2	Washer, .312 flat .875/.070
H	60277	2	Screw, 10-32 x .500 pan Phillips, G2
J	65499	1	Assembly, switch lockout lever
K	13654B	1	Bracket, battery disconnect
L	60067	2	Washer, #10 flat .435/.060, SS
M	60061	2	Nut, 10-32 nylock
N	65498	1	Switch, disconnect
P	10699	1	Cable, battery - 24 in. 4GA black, .375 lug
Q	66906	1	Cable, battery - 18 in. 4GA red, .375 lug
R	60303	2	Nut, .312-18 nylock, G2

CONTROL BOX ASSEMBLY

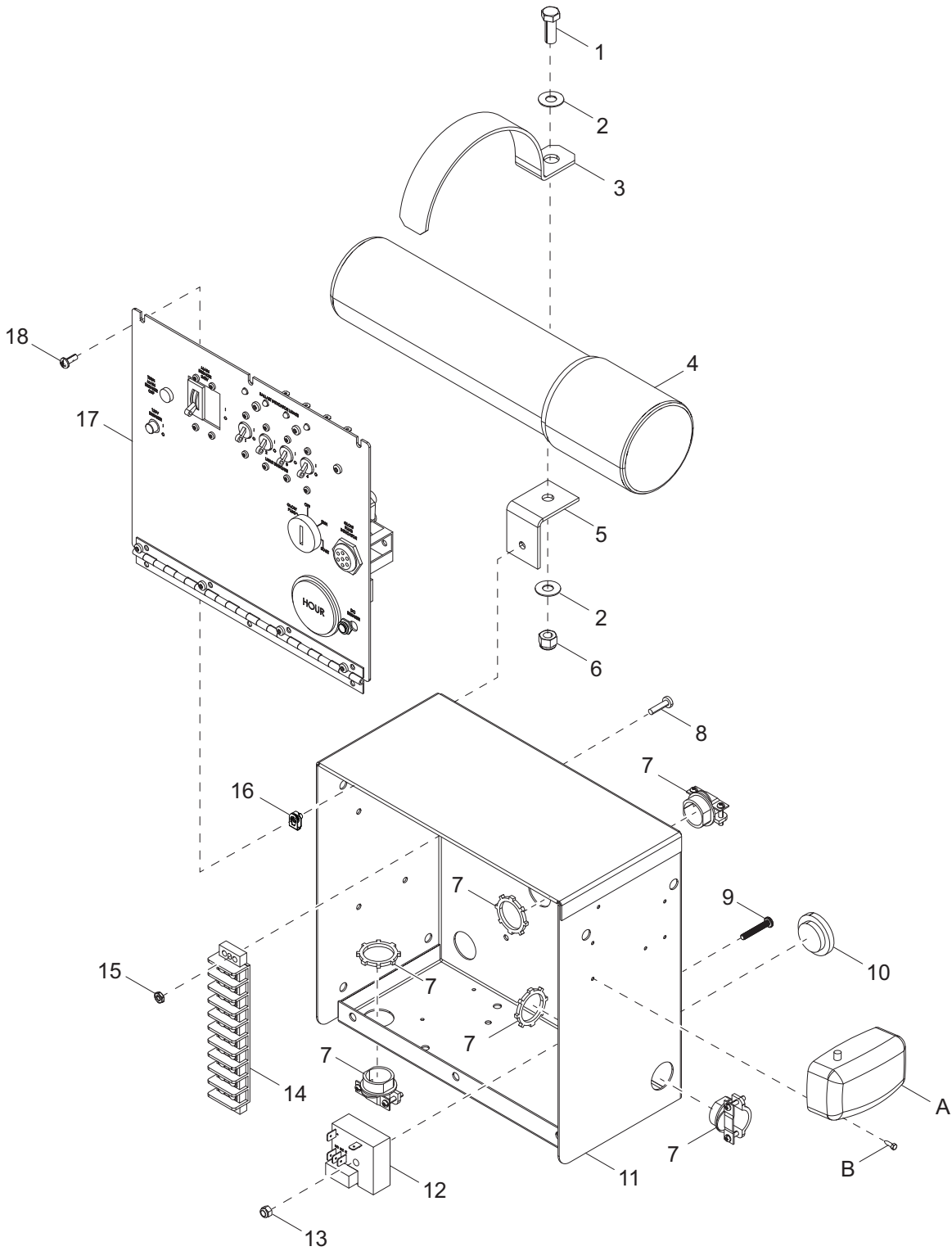


03480

CONTROL BOX ASSEMBLY

Item	Part No.	Qty	Description	Notes
1	60690	1	Screw, .375-16 x 1.00 standard hex - SS	
2	60698	2	Washer, .375 flat .875/.040 - SS	
3	10241	1	Clamp, 2,50	
4	11121	1	Manual holder, tube - black	
5	32731B	1	Bracket, manual holder	
6	60358	1	Nut, .375-16 nylock, G5	
7	14219	3	Strain relief, .750 Romex	
8	60062	2	Screw, 10-32 x .750 pan Phillips, G2	
9	60396	1	Screw, 10-32 x 1.250 pan Phillips, G2	
10	60746	2	Plug, hole 1.094 recessed - black	
11	13666B	1	Box, control	
12	14201	1	Relay, 10A SPDT 12VDC - 15 sec. time delay	
13	60061	1	Nut, 10-32 nylock	
14	14203	1	Block, terminal 10 position, 30A, 600V	
15	14231	2	Nut, 10-32 hex, G2	
16	63105	6	Nut, 8-32 U-clip, G5	
17	A0001533066	1	Assembly, control panel	
18	60526	6	Screw, 8-32 x .500 pan Phillips, G2	
<i>Interior Light: (if equipped)</i>				
A	11947	1	Light, interior w/switch	
B	60364	4	Screw, 10-16 x .500 standard hex, G2, self-drilling	

CONTROL PANEL ASSEMBLY

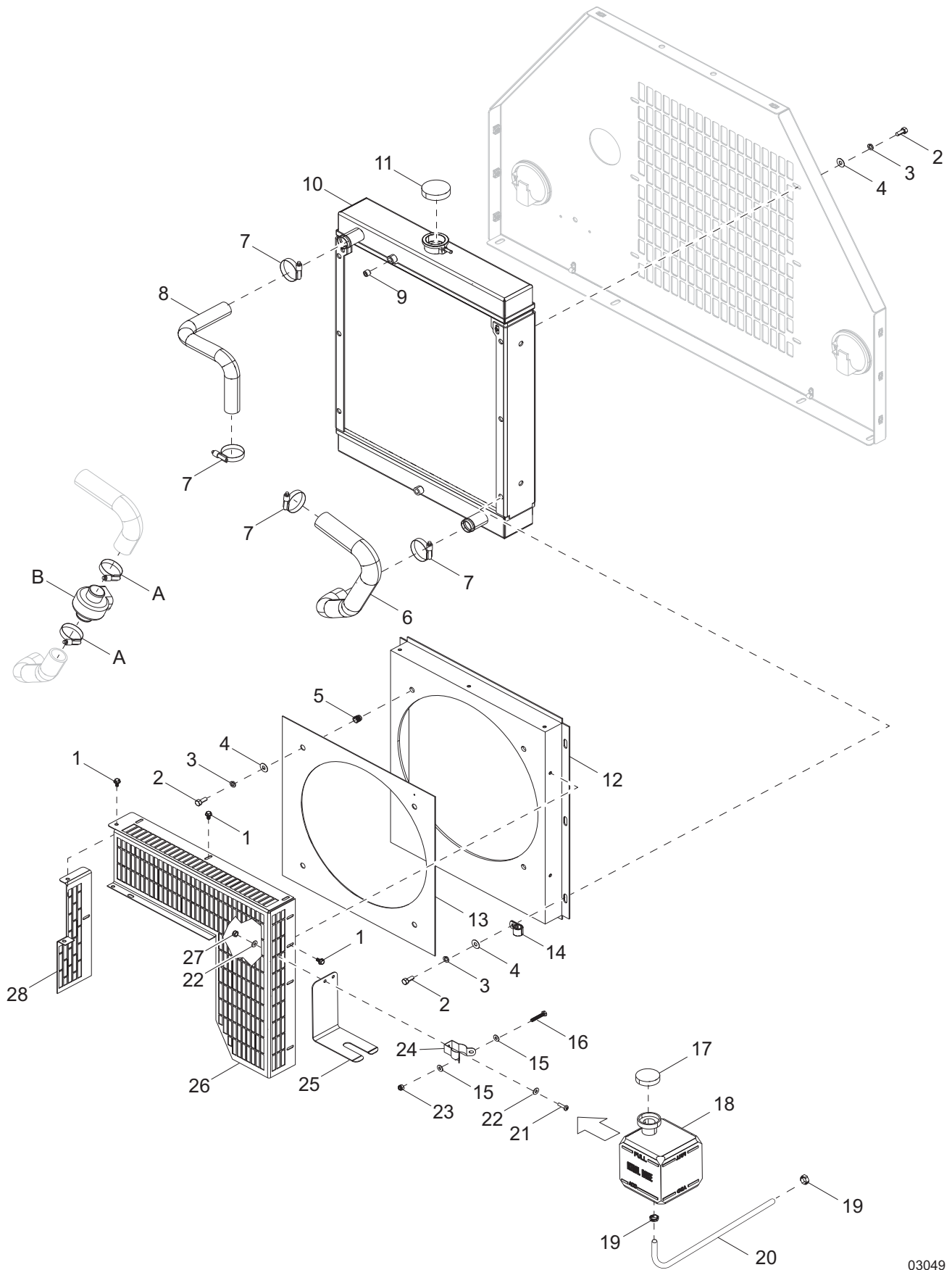


03480

CONTROL PANEL ASSEMBLY

Item	Part No.	Qty	Description	Notes
1	66423	1	PCB, LED lights w/connector	
2	60061	3	Nut, 10-32 nylock	
3	66257	3	Spacer, .2 ID x .375 OD x .25 long, plastic	
4	14249	4	Breaker, 15A, 120V, 1-pole	
5	60318	2	Nut, 8-32 hex, G5	
6	14204	1	Kit, ground bar	
7	15195SRV	1	Switch, key	
8	A0001533820	1	Glow plug indicator	
9	65850	1	Breaker, 10A, 240V, 1-pole, push button	
10	14231	2	Nut, 10-32 hex, G2	
11	15085	1	Gauge, hour meter	
12	60252	4	Washer, #10 split lock	
13	60277	2	Screw, 10-32 x .500 pan Phillips, G2	
14	60406	2	Screw, 8-32 x 1.0 pan Phillips, SS	
15	13677	1	Hinge, continuous - 11 in	
16	60405	12	Screw, 6-32 x .250 pan Phillips, G2	
17	60058	12	Washer, #6 split lock	
18	60062	3	Screw, 10-32 x .750 pan Phillips, G2	
19	10000030410	1	Panel, control - Mitsubishi, 1100W	
20	65388	1	Light, indicator red, 12VDC	
21	65963	1	Breaker, 30A, 250V, 2-pole, stud terminal w/aux	
22	65849	1	Breaker, 10A, 120V, 1-pole, push button	
--	35267	1	Wire group - 20A GFCI	
--	35268	1	Wire group - 30A twist-lock	
--	35269	1	Wire group - light switches	
--	35266	1	Wire group - LED light board	
--	35271	1	Wire group - 6kW control box	

COOLING SYSTEM ASSEMBLY

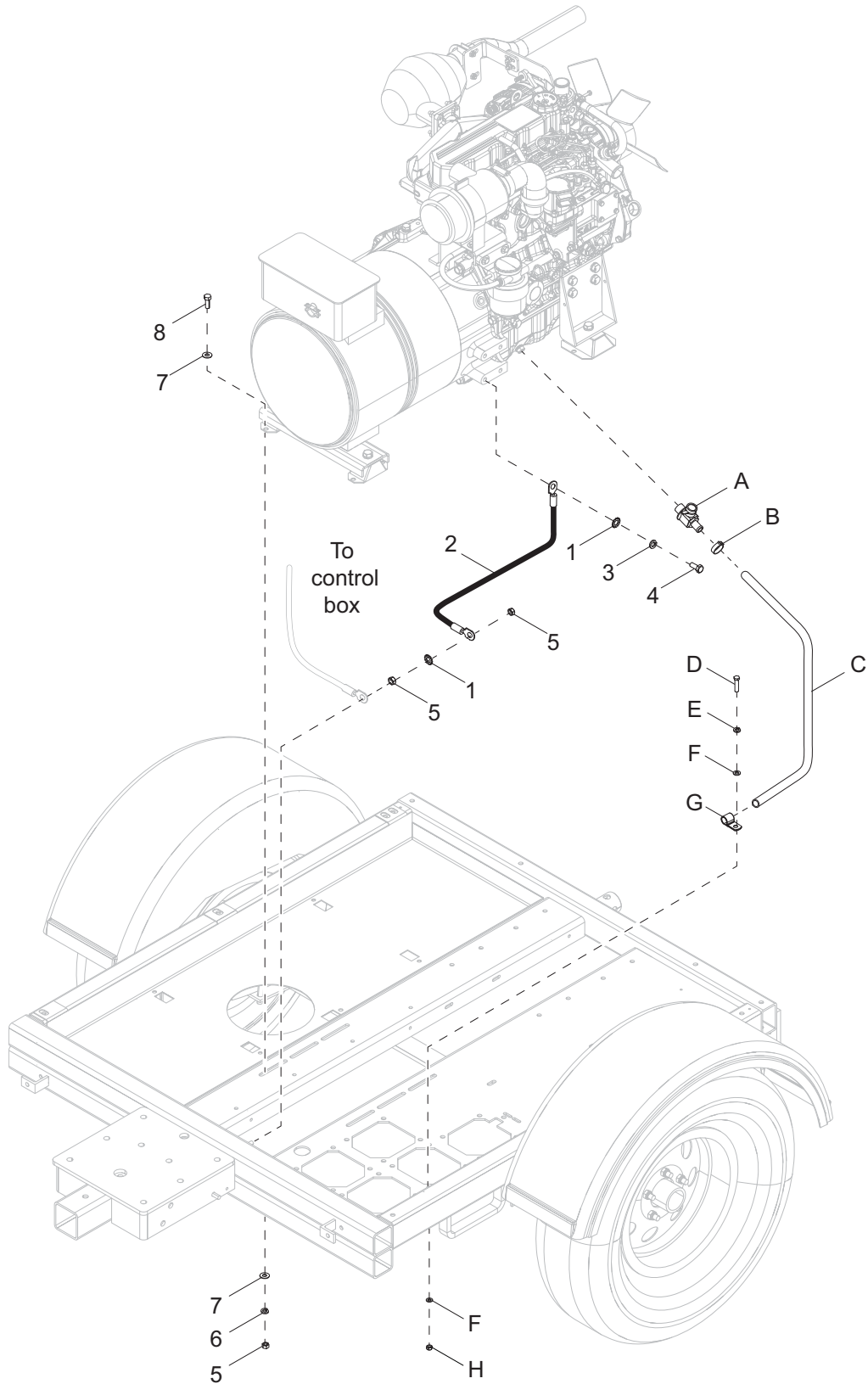


03049

COOLING SYSTEM ASSEMBLY

Item	Part No.	Qty	Description	Notes
1	60115	8	Screw, M6-1.00 x 12 serrated flange, G8.8	
2	60687	16	Screw, .312-18 x .750 standard hex - SS	
3	60341	16	Washer, M8 split lock - SS	
4	60340	16	Washer, .312 flat .875/.040	
5	62133	4	Insert, threaded .312-18 splined .027-.150 grip	
6	15185	1	Hose, radiator - lower	
7	15422	4	Clamp, hose - SAE 020 (.75-1.75)	
8	11891	1	Hose, radiator - upper	
9	60776	1	Fitting, plug .250NPT flush mount - brass	
10	26305	1	Radiator, 15/20/25 - aluminum	
11	19219	1	Cap, radiator 14.7 PSI	
12	11626B	1	Weldment, fan shroud	
13	11757B	1	Plate, shroud adapter	
14	15627	2	Clamp, tubing .625 - heavy duty	
15	60696	2	Washer, .250 flat .625/.050 - SS	
16	60414	1	Screw, .250-20 x 1.50 standard hex, G5	
17	19714	1	Cap, overflow jug	
18	20287	1	Jug, overflow - 2 qt	
19	60777	2	Clamp, hose - .312, crimp style	
20	A0001533855	1	Hose, fuel - .312 ID x 42.00	
21	61180	2	Screw, 10-32 x .750 pan Phillips, SS	
22	60067	4	Washer, #10 flat .435/.060, SS	
23	60144	1	Nut, .250-20 nylock, G5	
24	19726	1	Clamp, overflow jug	
25	22419B	1	Bracket, support overflow jug - black	
26	A0000260357	1	Panel, fan guard - right	
27	60061	2	Nut, 10-32 nylock	
28	A0000263673	1	Weldment, fan guard - left	
<i>Engine Heater: (if equipped)</i>				
A	15422	2	Clamp, hose - SAE 020 (.75-1.75)	
B	65649	1	Heater, engine - lower radiator hose	

ENGINE AND GENERATOR TO UNIT



03217

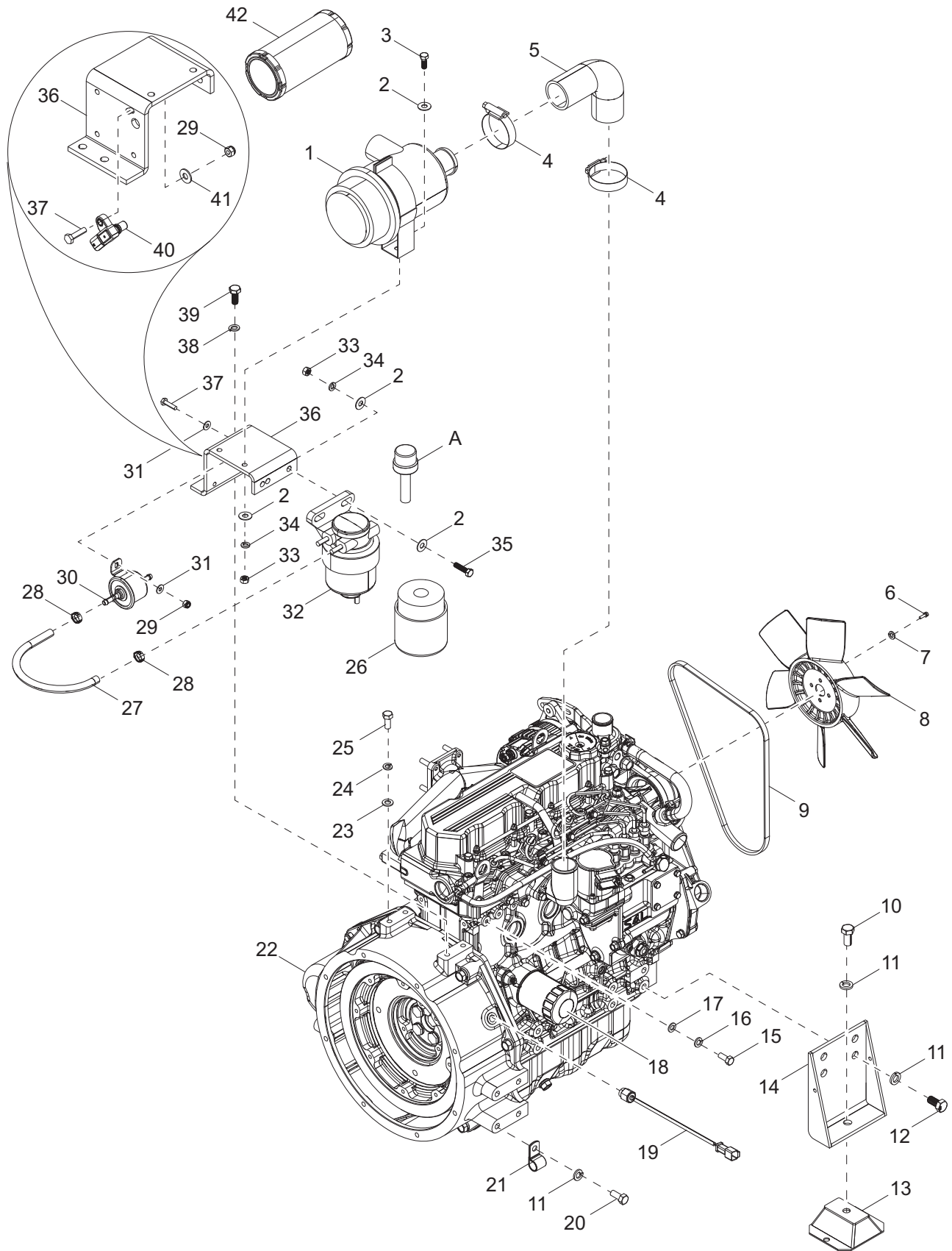
ENGINE AND GENERATOR TO UNIT

Item	Part No.	Qty	Description	Notes
1	60747	3	Washer, .375 internal star	
2	16155	1	Assembly, wire - 4000 engine/chassis ground	
3	60026	1	Washer, M10 - split lock	
4	60495	1	Screw, M10 - 1.25 x 16, std hex, G8.8	
5	60140	10	Nut, .375-16 hex, G5	
6	60206	8	Washer, .375 split lock	
7	60698	16	Washer, .375 flat .875/.040, SS	
8	60205	8	Screw, .375-16 x 1.0 std hex, G5	

Drain Valve: (if equipped)

A	60766	1	Valve, drain 18mm - 1.5 with nipple	
B	60777	1	Clamp, hose - .312, crimp style	
C	50051	1.67 ft	Hose, fuel - .375 ID, 50 psi	
D	60205	1	Screw, .375-16 x 1.0 std hex, G5	
E	60698	2	Washer, .375 flat .875/.040, SS	
F	60206	1	Washer, .375 split lock	
G	60716	1	Clamp, tubing - 1.50 light duty	
H	60144	1	Nut, .25-20 nylock, G5	

ENGINE ASSEMBLY - LEFT SIDE



03219

ENGINE ASSEMBLY - LEFT SIDE

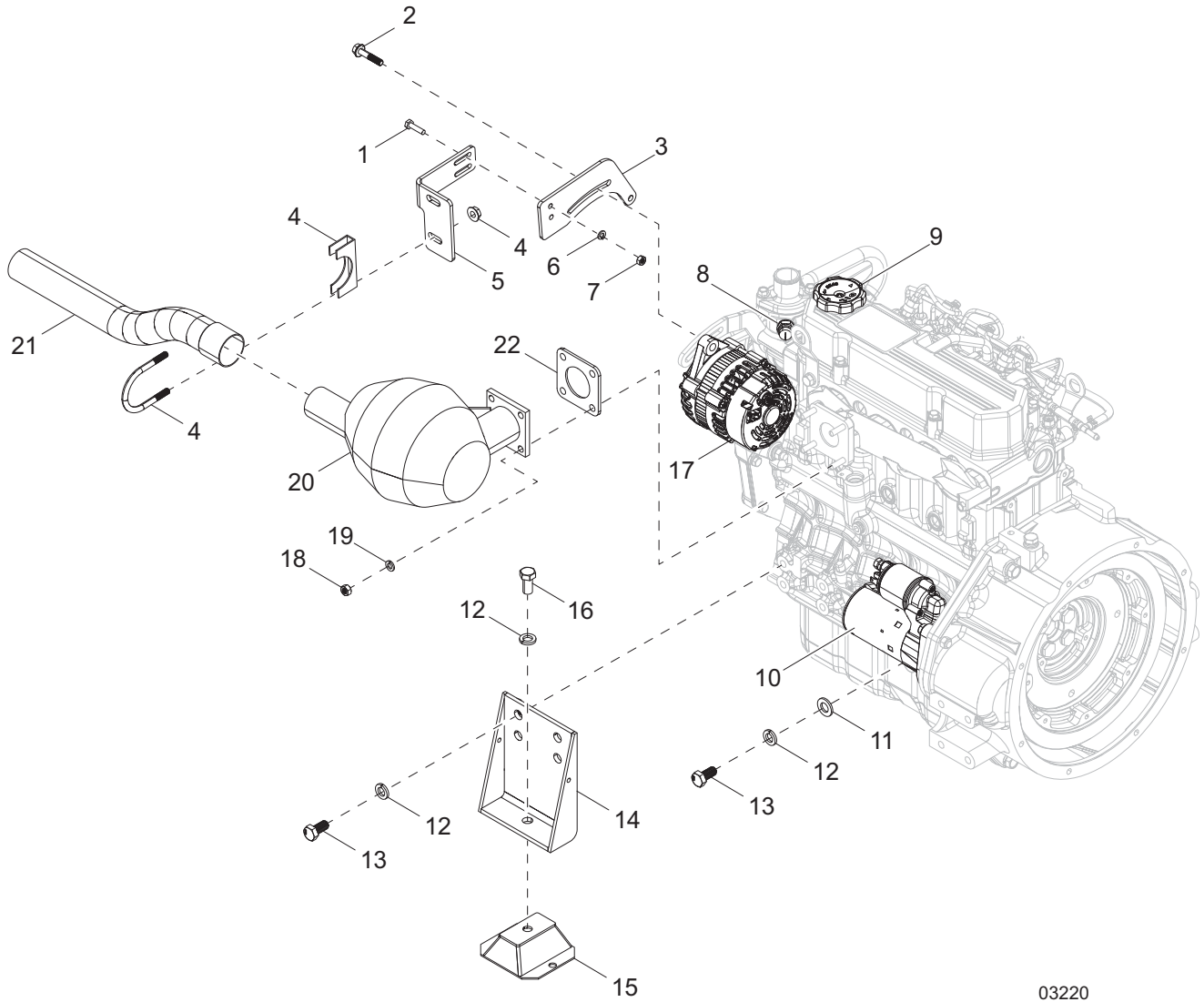
Item	Part No.	Qty	Description	Notes
1	10000021718	1	Filter, air w/bracket	
2	60119	8	Washer, .312 flat .875/.070	
3	61061	2	Screw, .312-18 x .875 standard hex, G5	
4	60316	2	Clamp, hose SAE 032 (1.56-2.50)	
5	10000044679	1	Hose, air cleaner	
6	63288	4	Screw, M6-1.0 x 12 pan head, G8.8	
7	60286	4	Washer, .250 split lock	
8	16742	1	Fan, Mitsubishi	
9	16692	1	V-belt, Mitsubishi	
10	60275	1	Screw, .500-13 x 1.00 standard hex, G5	
11	60702	11	Washer, .500 split lock - SS	
12	61087	4	Screw, M12-1.25 x 25 standard hex, G10.9	
13	11524	1	Isolator, 4.38 x 4.00 x 1.50 - rubber	
14	11732B	1	Weldment, engine mount - black	
15	60113	1	Screw, M8-1.25 x 16 standard hex, G8.8	
16	60271	1	Washer, .312 split lock	
17	60166	1	Washer, M8 flat	
18	70124	1	Filter, oil	
19	A0000116158	1	Pick-up, MAG	
20	60762	2	Screw, M12-1.25 x 20 standard hex, G10.9	
21	60649	2	Clamp, tubing .750 heavy duty	
22	10000043318	1	Engine, Mitsubishi S4L2	
23	60027	1	Washer, M10 flat	
24	60026	1	Washer, M10 split lock	
25	60495	1	Screw, M10-1.25 x 16 standard hex, G8.8	
26	17641SRV	1	Element, fuel filter	
27	A0001533859	1	Hose, .312 ID x 11.500	
28	60777	2	Clamp, hose .312 - crimp style	
29	60144	3	Nut, .250-20 nylock, G5	
30	13278SRV	1	Pump, fuel - electric	
31	60696	4	Washer, .250 flat .625/.050 - SS	
32	10000022110	1	Assembly, fuel filter	
33	60285	4	Nut, .312-18 hex, G2	
34	60271	5	Washer, .312 split lock	
35	62001	2	Screw, .312-18 x 1.250 standard hex, G5	
36	11745B	1	Bracket, fuel/air filter - black	
37	60422	2	Screw, M10-1.25 x 25 standard hex, G8.8	
38	60026	2	Washer, M10 split lock	
39	60393	3	Screw, .250-20 x 1.00 standard hex, G5	
40	72175SRV	1	Sensor, atmospheric pressure	
41	60243	1	Washer, .250 flat .735/.060 - SS	
42	16444	1	Element, air filter	
--	10000003422	4	Plug, glow	

Heated Fuel Filter: (if equipped)

A	13876	1	Kit, heater - fuel filter, Mitsubishi
---	-------	---	---------------------------------------

Note: Engine and generator parts used in all Generac Mobile Products equipment carry the Original Equipment Manufacturer (OEM) warranty unless otherwise stated. OEM warranty parts must be purchased through an OEM dealer. Please contact Generac Mobile Products with questions.

ENGINE ASSEMBLY - RIGHT SIDE



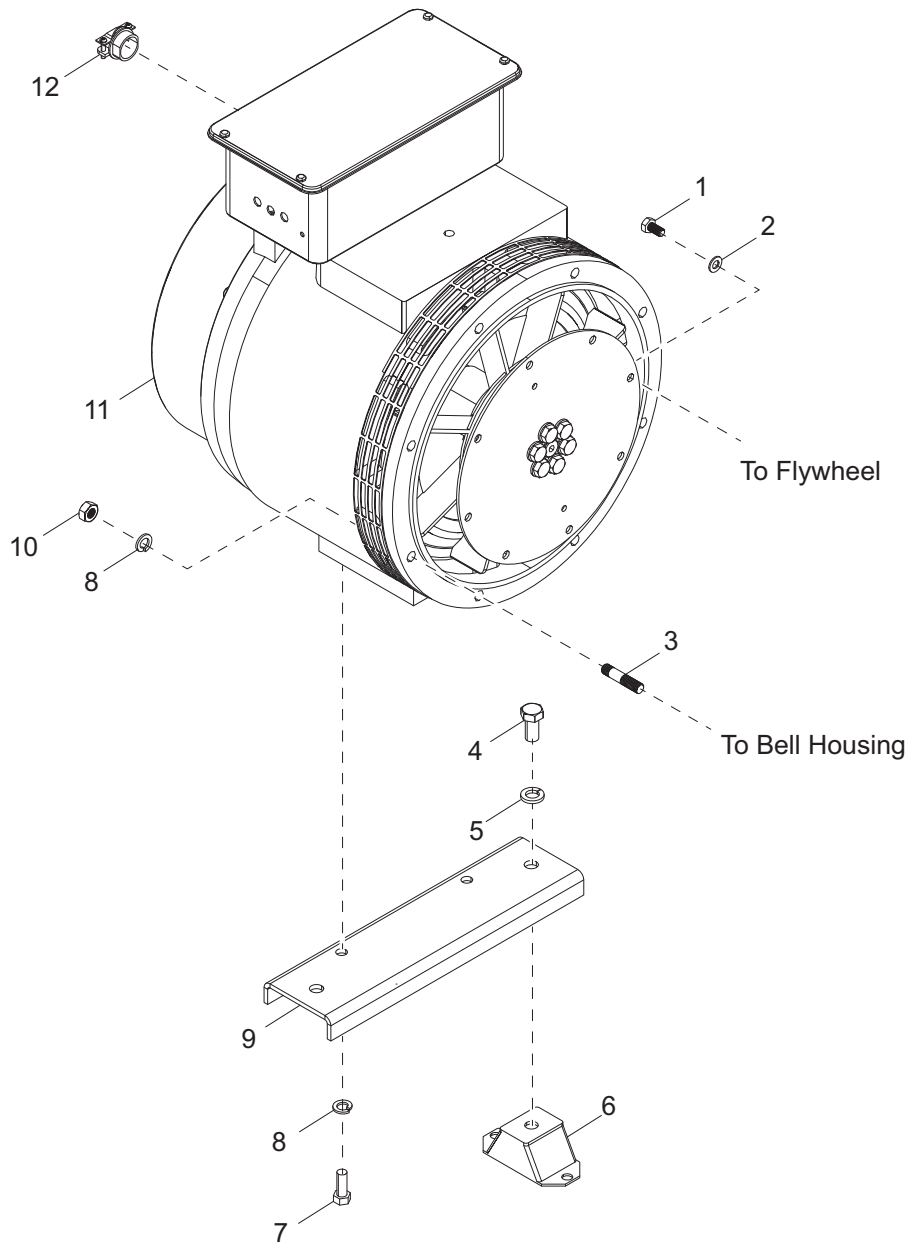
03220

ENGINE ASSEMBLY - RIGHT SIDE

Item	Part No.	Qty	Description	Notes
1	60393	2	Screw, .250-20 x 1.00 standard hex, G5	
2	60238	1	Screw, M8-1.25 x 40 serrated flange hex, G8.8	
3	A0001533847	1	Spacer, alternator bracket	
4	18823	1	Clamp, muffler 2.00	
5	14342B	1	Bracket, kegger muffler	
6	60286	2	Washer, .250 split lock	
7	60284	2	Nut, .250-20 hex, G2	
8	16678	1	Switch, temperature sensor	
9	11147	1	Cap, oil filler	
10	A0000163161	1	Starter	
11	60700	1	Washer, .500 flat .250/.060 - SS	
12	60702	6	Washer, .500 split lock - SS	
13	61087	4	Screw, M12-1.25 x 25 standard hex, G10.9	
14	11732B	1	Weldment, engine mount - black	
15	11524	1	Isolator, 4.38 x 4.00 x 1.50 - rubber	
16	60275	1	Screw, .500-13 x 1.00 standard hex, G5	
17	A0000163162	1	Alternator	
18	60032	4	Nut, M8-1.25 hex, G8.8	
19	60271	4	Washer, .312 split lock	
20	17779	1	Muffler	
21	17809	1	Pipe, exhaust	
22	A0001534003	1	Gasket, muffler	
--	A0000163166	1	Switch, oil pressure	

Note: Engine and generator parts used in all Generac Mobile Products equipment carry the Original Equipment Manufacturer (OEM) warranty unless otherwise stated. OEM warranty parts must be purchased through an OEM dealer. Please contact Generac Mobile Products with questions.

GENERATOR ASSEMBLY



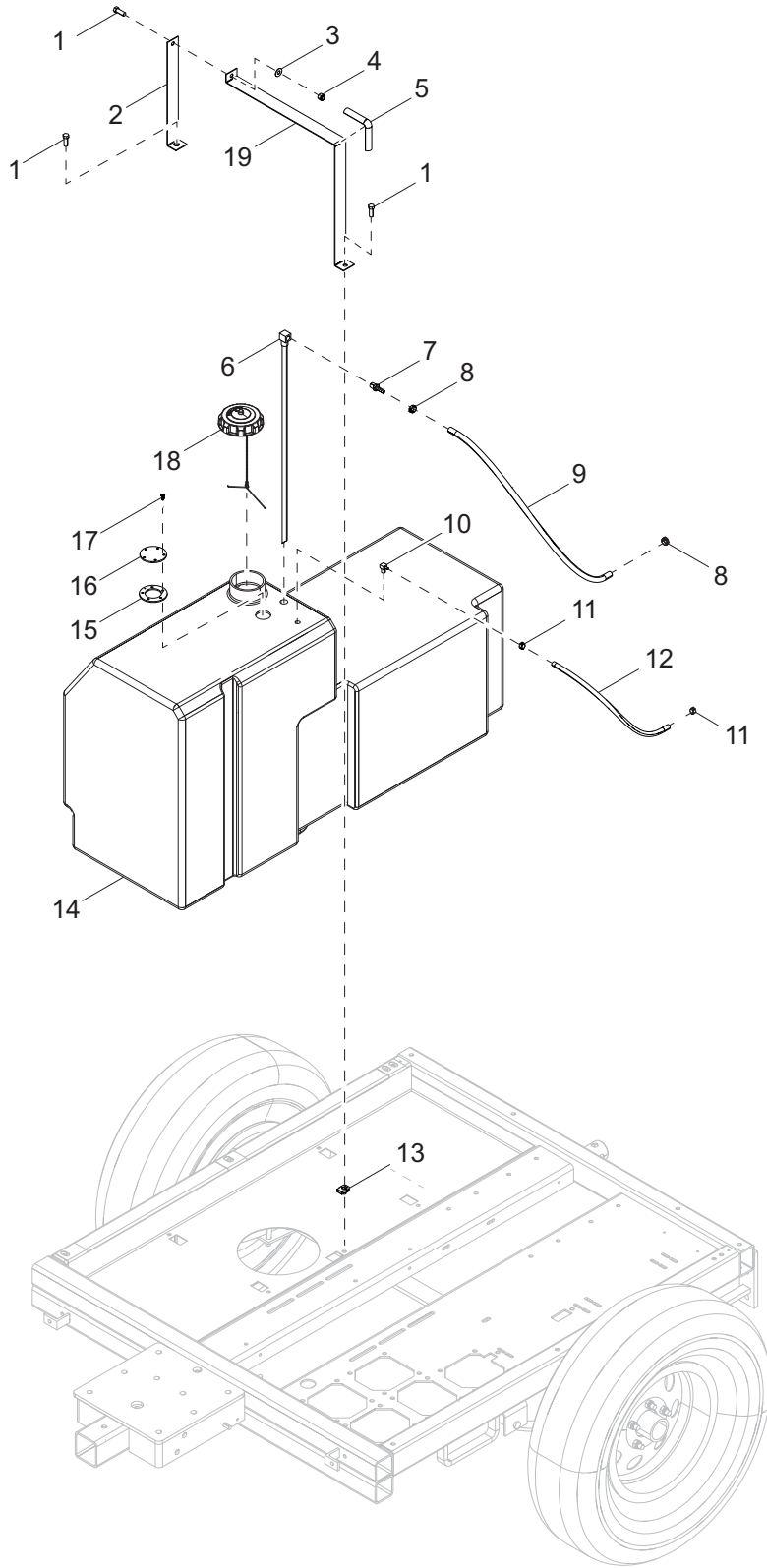
03221

GENERATOR ASSEMBLY

Item	Part No.	Qty	Description	Notes
1	60165	8	Screw, M8-1.25 x 16 standard hex, G10.9	
2	60166	8	Washer, M8 flat	
3	60795	8	Stud, M10-1.25 x 48 - 2 ends threaded	
4	60275	2	Screw, .500-13 x 1.00 standard hex, G5	
5	60702	2	Washer, .500 split lock - SS	
6	15241	2	Isolator, 80-200 pounds - rubber	
7	60205	2	Screw, .375-16 x 1.99 standard hex, G5	
8	60026	10	Washer, M19 split lock	
9	11597B	1	Bracket, generator mount	
10	60344	8	Nut, M10-1.25 hex - SS	
11	11327	1	Generator, 333CSA3024, 15KW, 60HZ	
12	14219	1	Strain relief, .750 Romex - w/nut	
--	65684	1	Harness, lead	

Note: Engine and generator parts used in all Generac Mobile Products equipment carry the Original Equipment Manufacturer (OEM) warranty unless otherwise stated. OEM warranty parts must be purchased through an OEM dealer. Please contact Generac Mobile Products with questions.

FUEL TANK TO UNIT

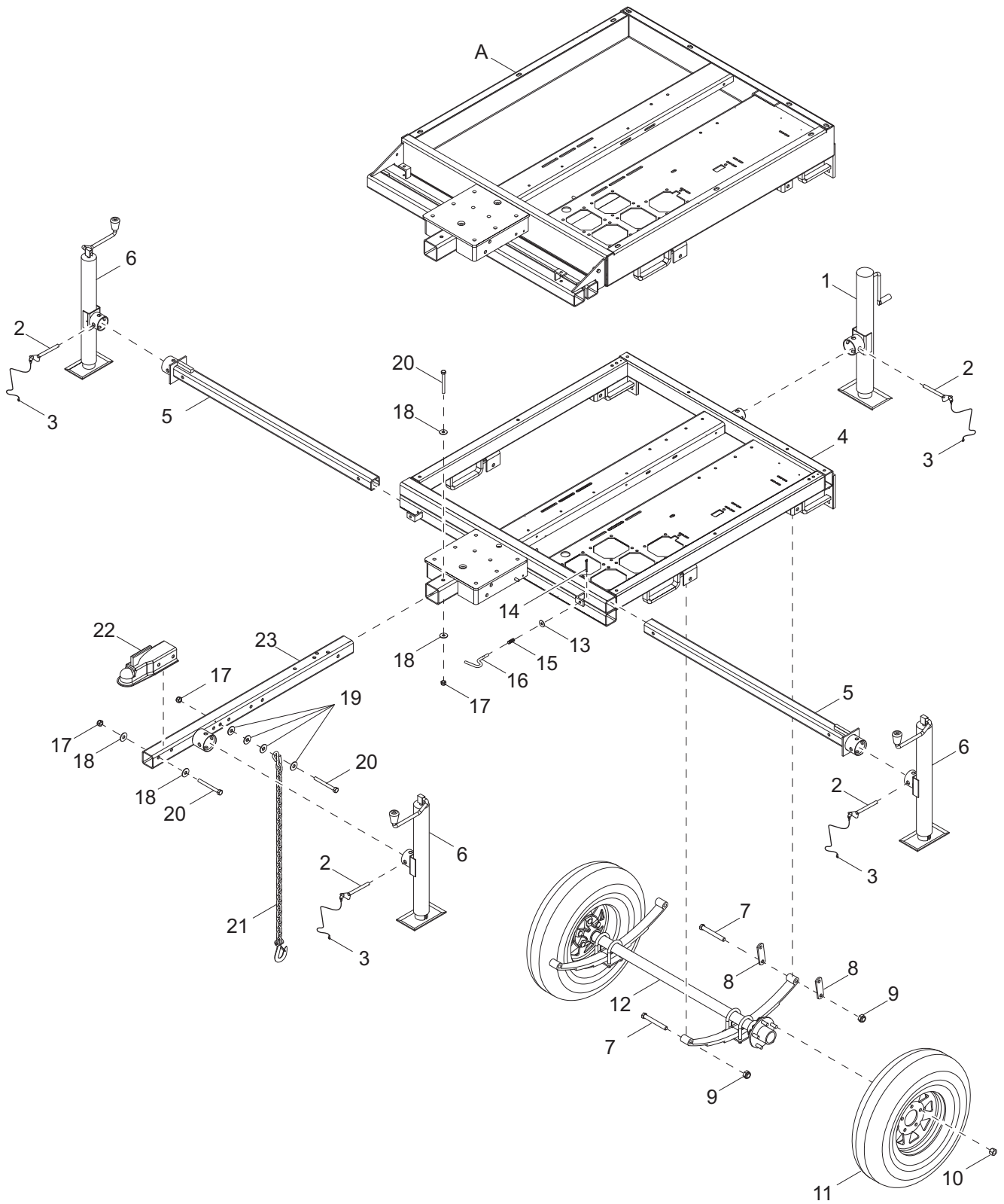


03481

FUEL TANK TO UNIT

Item	Part No.	Qty	Description	Notes
1	60334	3	Screw, .375-16 x 1.00 standard hex, G5	
2	12361B	1	Weldment, fuel tank strap	
3	60698	1	Washer, .375 flat .875/.040, SS	
4	60358	1	Nut, .375-16 nylock, G5	
5	50197	1	Weatherstripping	
6	12259	1	Fuel pick-up tube - 24 in	
7	15142	1	Fitting, str - .250NPT x .312 barb	
8	60777	2	Clamp, hose - .312, crimp style	
9	50018	3.0 ft	Hose, fuel .312 ID 50 PSI SAE 30R7	
10	16271	1	Fitting, 90° - .250NPT x .188 barb	
11	60778	2	Clamp, hose - .188, crimp style	
12	14211	2.5 ft	Hose, fuel - .188 ID, 50 psi, SAE 30R7	
13	60505	4	Nut, .312-18 U-clip - long type	
14	39998	1	Tank, fuel - 56 gallon	
15	N/A	1	Gasket, plate cover	w/ A0001557886
16	N/A	1	Plate, cover	w/ A0001557886
17	60068	5	Screw, 10-24 x .500 pan Phillips, G2	w/ A0001557886
18	12137	1	Cap, fuel tank, with lanyard	
19	12359B	1	Weldment, fuel strap -large	
--	A0001557886	1	Kit, sender plate	Inc items 15,16,17

TRAILER ASSEMBLY



03482

TRAILER ASSEMBLY

Item	Part No.	Qty	Description	Notes
1	13050	1	Jack, side wind - tube mount	
2	23256	4	Pin, jack - 2000 lb, tube mount	
3	12647	4	Cable, tether - jack pin and ground rod cover	
4	13335B	1	Weldment, chassis	
5	69813Z	2	Weldment, outrigger tube jack mount	
6	13051	3	Jack, top wind	
7	60503	6	Screw, shackle, .562-18 x 3.0 std hex, G5	
8	19637	4	Plate, shackle bracket	
9	60504	6	Nut, .562-18 lock, G5	
10	60096	10	Nut, .500-20 lug, G5	
11	15976B	2	Wheel, ST175/80D13, 1360 lb	
12	13131	1	Axle, 3000lb	
13	35275	2	Washer, .375 flat .416 x .820 x .057	
14	35274	2	Cotter pin - .078 x 1.0	
15	35273	2	Spring, compression, .562 x 1.5	
16	35272	2	Pin, plunger - .375	
17	62221	4	Nut, .500-13 nylock, G5	
18	60309	3	Washer, flat 1.060/.090	
19	60416	8	Washer, .500 flat 1.375/.090	
20	50215	4	Screw, .500-13 x 4.0 std hex, G5	
21	23367	2	Chain, safety	
22	16830	1	Coupler, 2.0 ball/2.5 channel	
23	70184B	1	Weldment, removable tongue - tube mnt jack	

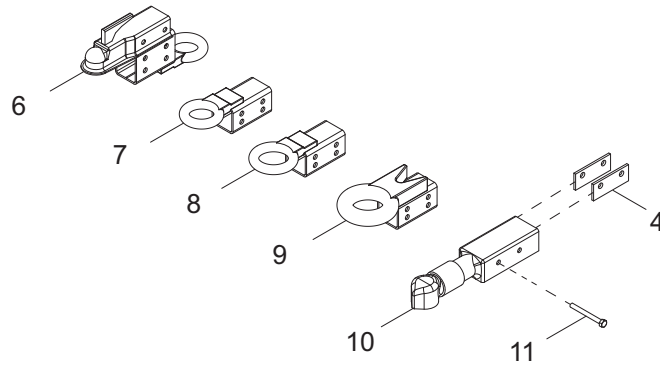
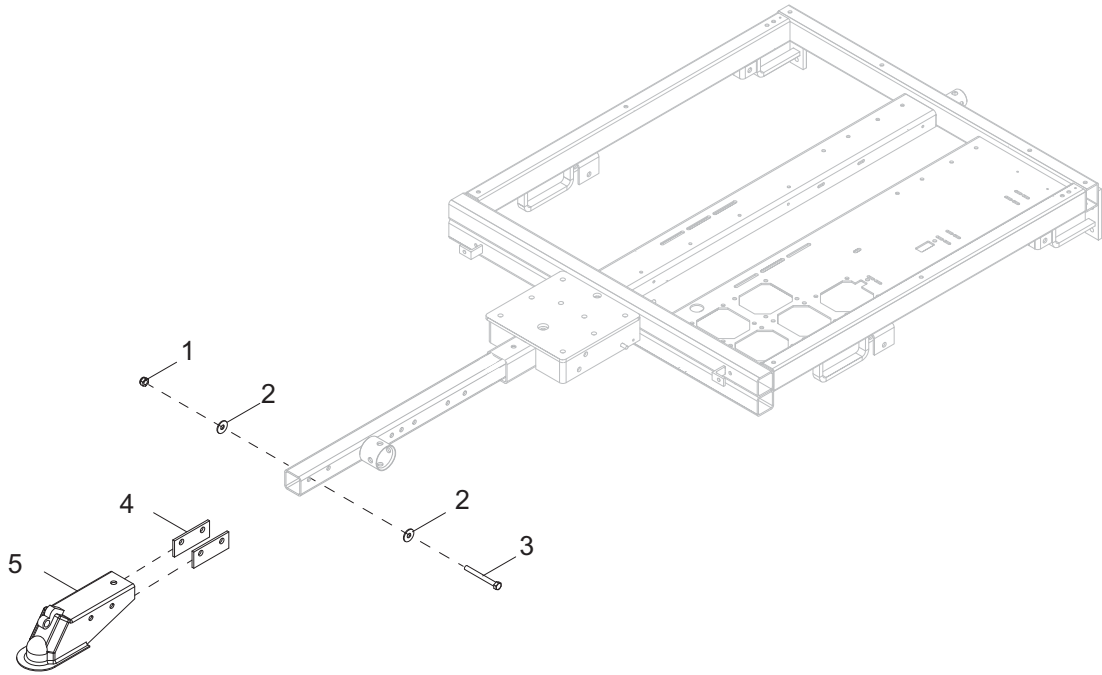
Containment: (if equipped)

A	33243B	1	Weldment, chassis, containment	
---	--------	---	--------------------------------	--

Trailer Plug Adapters: (if equipped)

--	65463	1	Adapter, trailer wiring - flat 4 to round 6 pin	
--	65464	1	Adapter, trailer wiring - flat 4 to round 7 pin	
--	65465	1	Adapter, trailer wiring - flat 4 to round 7 blade	

HITCH OPTIONS

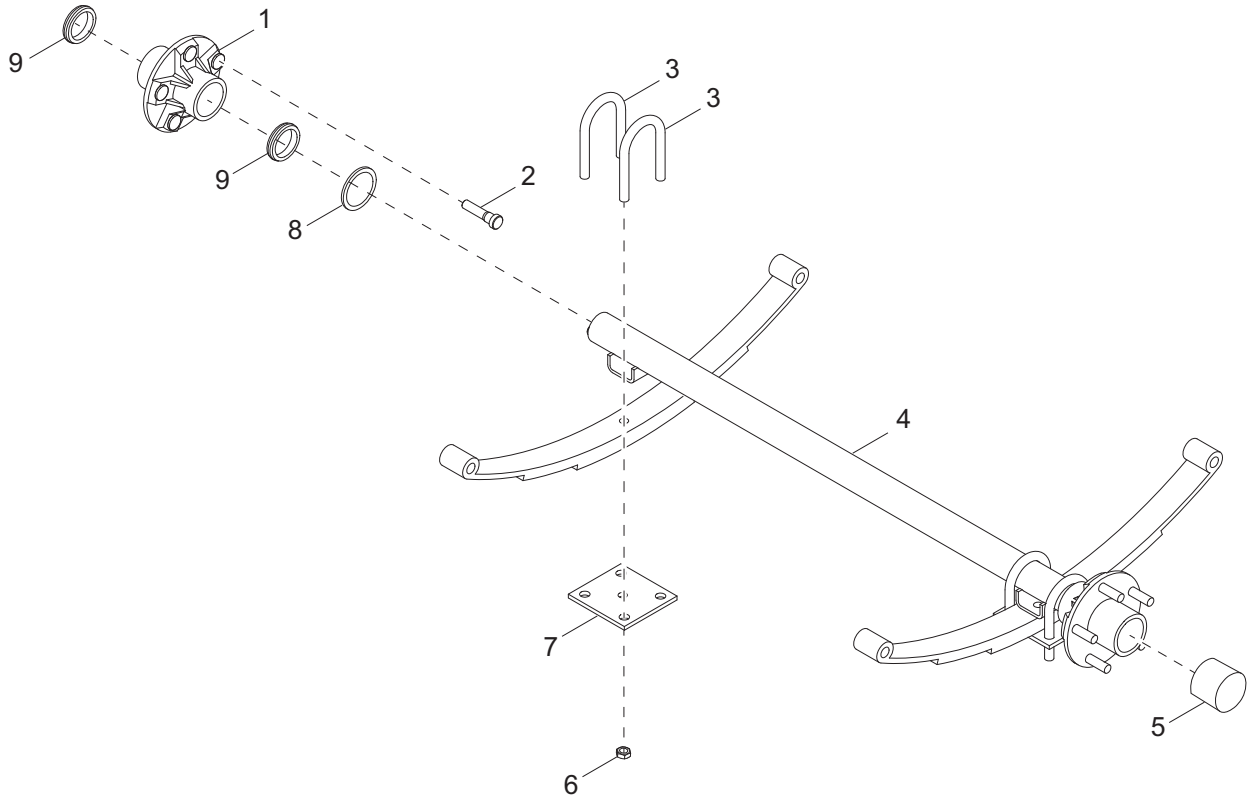


03223

HITCH OPTIONS

Item	Part No.	Qty	Description	Notes
1	62221	2	Nut, .500-13 nylock, G5	
2	60309	4	Washer, .500 flat 1.060/.090	
3	50215	2	Screw, .500-13 x 4.0 std hex, G5	
4	12155B	4	Spacer, coupler	
5	13003B	1	Coupler, 2.0 ball/3.0 channel	
6	16741ZC	1	Weldment, combo hitch - 2.50 tongue	
7	16999B	1	Weldment, lunette ring - 2.5 x 1.0 ring/2.50 tongue	
8	16835B	1	Weldment, lunette ring - 3.0 x 1.0 ring/2.50 tongue	
9	11672B	1	Weldment, hitch - 3.0 x 1.625 ring/2.50 tube	
10	12229	1	Coupler, 2.31 ball/3.0 channel	
11	60376	2	Screw, .500-13 x 4.50 std hex, G5	

AXLE ASSEMBLY

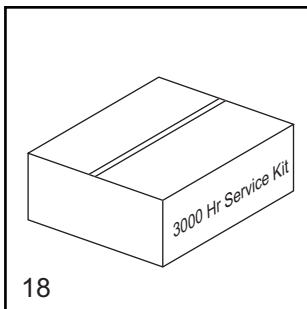
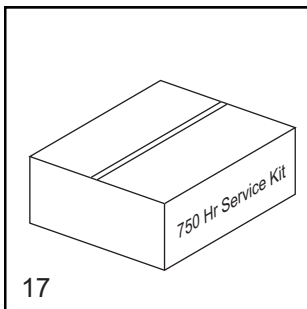
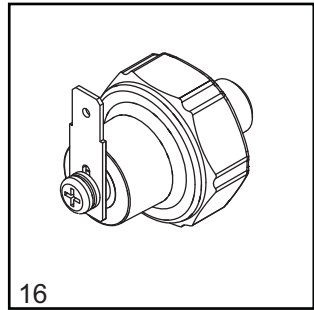
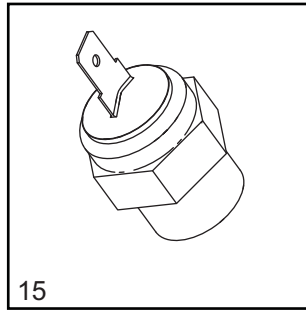
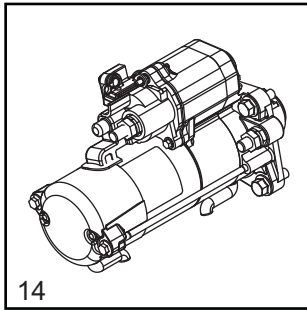
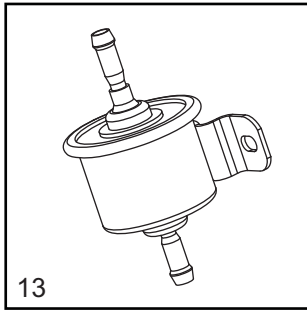
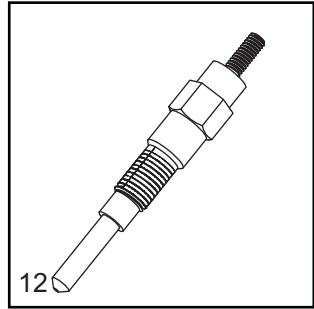
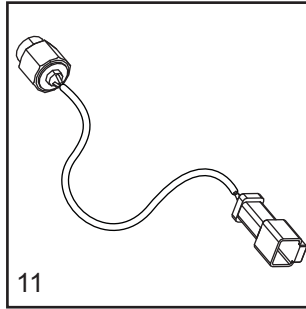
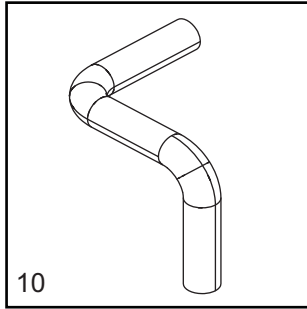
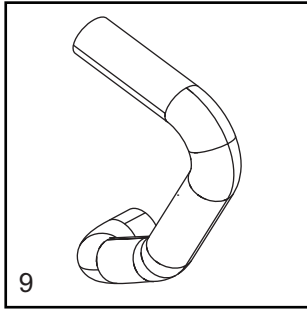
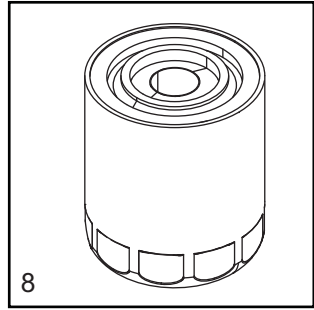
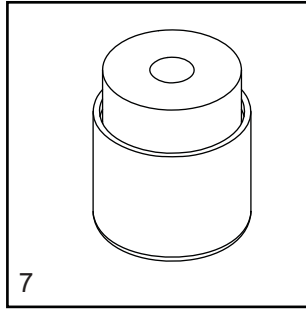
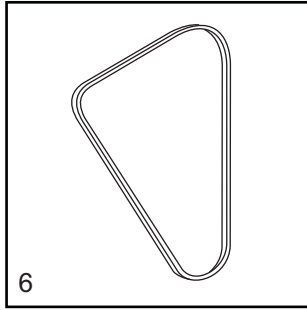
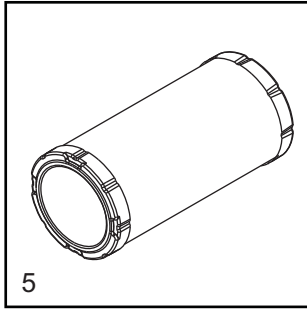
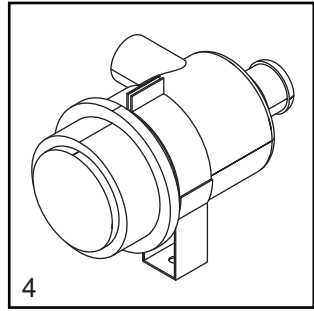
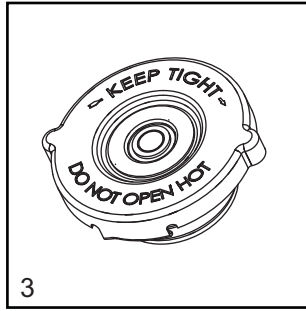
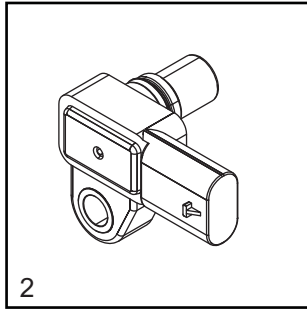
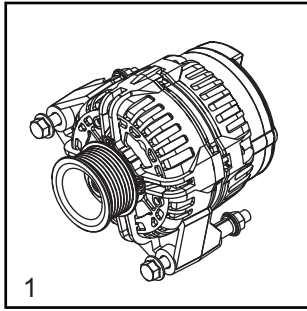


01746

AXLE ASSEMBLY

Item	Part No.	Qty	Description	Notes
1	11206	2	Axle hub w/studs and outer races	
2	60674	10	Stud, wheel, .500-20 wheel, G8	
3	11201	4	Bolt, U - 2200 lb	
4	13131	1	Axle, 3000 lb 58TC 45SC	
5	12460	2	Cap, wheel bearing	
6	11203	8	Nut, U-bolt, 2200 lb	
7	11202	2	Tie-plate, 2200 lb	
8	13000	2	Seal - 2200 lb	
9	11511	4	Bearing, roller	Includes bearing races

RECOMMENDED SPARE PARTS - ENGINE AND SERVICE KITS



RECOMMENDED SPARE PARTS - ENGINE AND SERVICE KITS

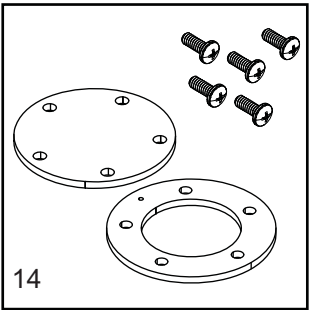
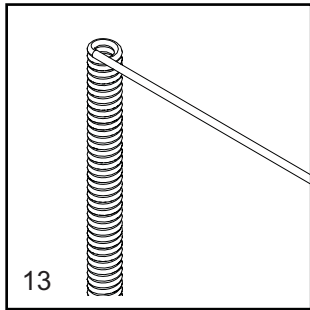
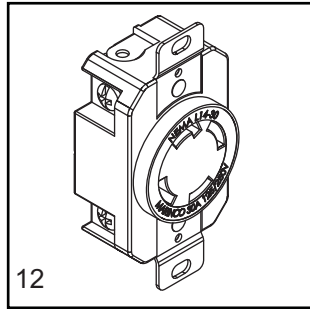
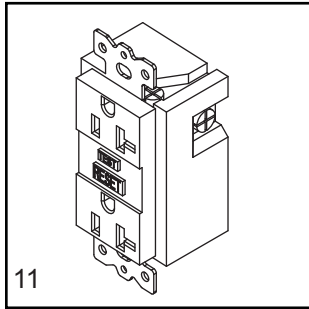
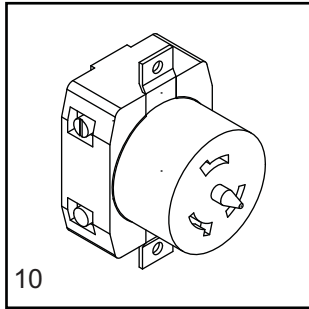
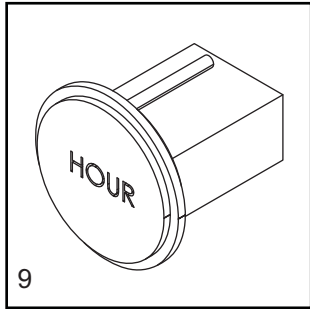
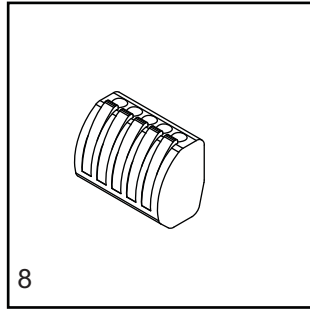
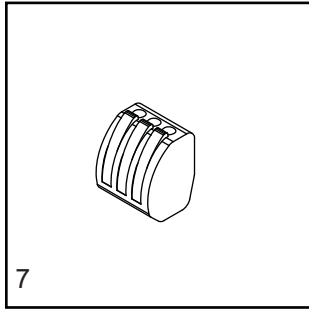
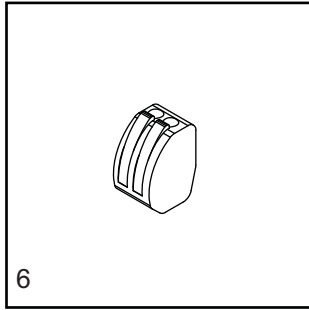
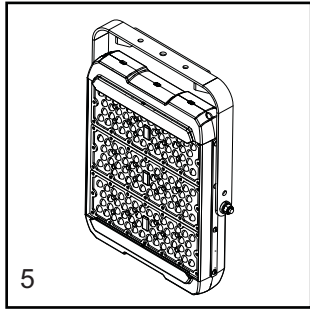
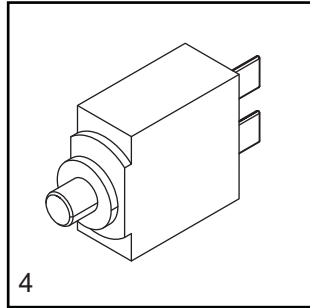
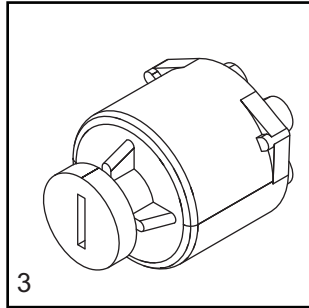
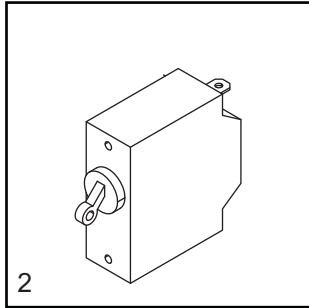
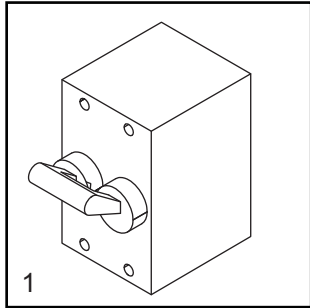
ENGINE

1. Alternator	A0000163162
2. Atmospheric pressure sensor	72175SRV
3. Cap, radiator	19219
4. Assembly, air filter	10000021718
5. Filter, air (element)	16444
6. Belt	10386
7. Filter, fuel	17641SRV
8. Filter, oil (after break-in filter 16691)	70124
9. Hose, radiator - lower	15185
10. Hose, radiator - upper	11891
11. Magnetic pick-up	A0000116158
12. Plug, glow	10000003422
13. Pump, fuel	13278SRV
14. Starter	A0000163161
15. Switch, coolant temperature	16678
16. Switch, oil pressure	A0000163166

SERVICE KITS

17. 750 hour kit	10000036108
Includes: Air Filter 16444, Fuel Filter Element 17641SRV and Oil Filter 70124	
18. 3000 hour kit	SK335
Includes: Engine Belt 10388 (2), Air Filter 16444 (4), Fuel Filter Element 17641SRV(4), and Oil Filter 70124 (4)	

RECOMMENDED SPARE PARTS - ELECTRICAL

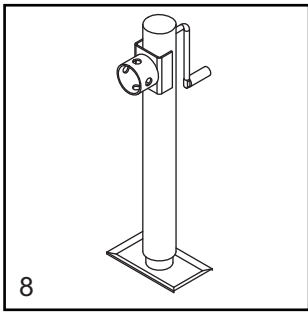
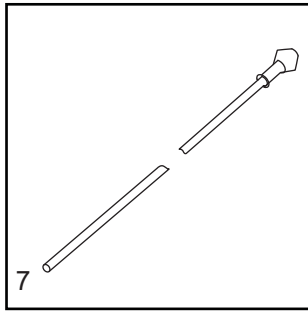
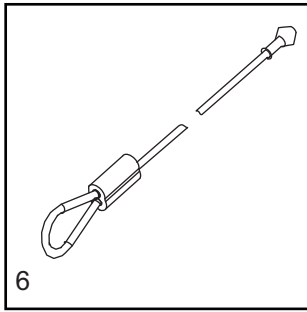
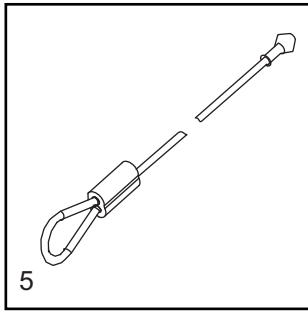
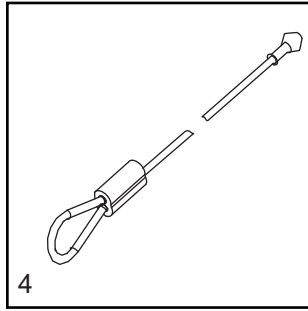
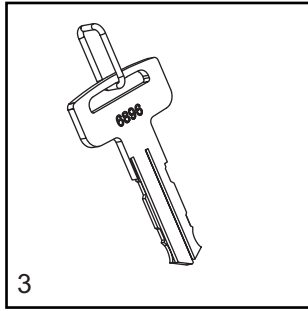
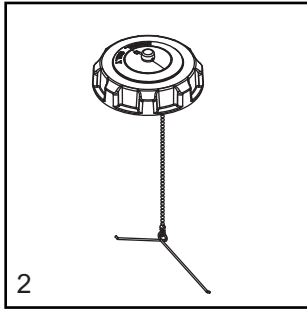
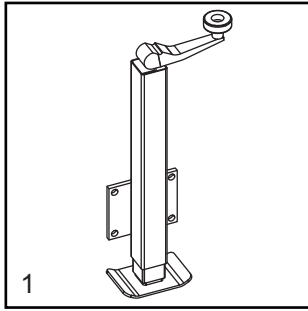


RECOMMENDED SPARE PARTS - ELECTRICAL

ELECTRICAL

1. Breaker, 70A, 250V, 2 pole, AM stud terminal	60736
2. Breaker, 15A 250V, 1 pole	14249
3. Switch, key	15195SRV
4. Breaker, 10A 240V, 1 pole - push button	65850
5. Assembly, 320W LED light fixture.....	A0000948785
6. Connector, 2 position (qty - 4)	66100
7. Connector, 3 position (qty - 2)	66101
8. Connector, 5 position (qty - 1)	66102
9. Gauge, hour meter	15085
10. Receptacle, 240V/50A twist lock- 3 pole 4 wire	18089
11. Receptacle, 120V/20A GFI	14130
12. Receptacle, 240V/30A twist - L14-30R.....	65488
13. Coil cord	11954
14. Kit, sender plate.....	A0001557886

RECOMMENDED SPARE PARTS - MISC



RECOMMENDED SPARE PARTS - MISC

ENCLOSURE

- 1. Jack, top wind, 2000 lb 13051
- 2. Cap, fuel tank with lanyard 16326
- 3. Key (set of two)..... 15309

MAST

- 4. Cable, 69.25 in 34128
- 5. Cable, 69.75 in 34129
- 6. Cable, 67.875 in 34130
- 7. Cable, 116.00 in..... 34132

JACKS

- 8. Jack, side wind, 2000 lb 13050

Part No. A0001521579 Rev. A 05/18/2021

©2021 Generac Mobile Products, LLC
All rights reserved.

Specifications are subject to change without notice.
No reproduction allowed in any form without prior written consent
from Generac Mobile Products, LLC.

GENERAC | **MOBILE**

Generac Mobile Products, LLC
215 Power Drive, Berlin, WI 54923
GeneracMobileProducts.com | 800-926-9768 | 920-361-4442